

# BeoCenter 1

Type 8500, 8502, 8503, 8505, 8506, 8508

Service Center repair guide

English, German, French, Italian, Spanish



BANG & OLUFSEN



## CONTENTS

<b>How to service</b> .....	<b>1</b>
Specification guidelines for service use .....	1.3
Type survey .....	1.4
Caution .....	1.6
<b>Brief operation guide</b> .....	<b>2</b>
<b>Wiring diagrams</b> .....	<b>3</b>
<b>List of available parts</b> .....	<b>4</b>
<b>Adjustments, service mode, custom LNB setup and theft protection</b> .....	<b>5</b>
English .....	5.1
German .....	5.14
French .....	5.27
Italian .....	5.40
Spanish .....	5.53
<b>Disassembly</b> .....	<b>6</b>
English .....	6.1
German .....	6.2
French .....	6.3
Italian .....	6.4
Spanish .....	6.5
Replacement of Sound/DVD chassis .....	6.6
Replacement of PCB58, IR & Display .....	6.8
Replacement of PCB59, Camcorder interface module .....	6.9
Replacement of PCB19, Beo1 module .....	6.10
<b>Insulation test</b> .....	<b>7</b>

## HOW TO SERVICE

BeoCenter 1 is supposed to be serviced in the customers home!

In order to support the general service strategy, a Back Up suitcase is available which contains the TV chassis and additional modules.

With this it is possible to easily carry out service in the customers home. Feature modules are included.

If the TV chassis is replaced, leave the EEPROM in the set. Both chips are located on a separate very small module.

By doing so, the entire identity of the set is maintained.

After having replaced the faulty chassis, please read out error codes, write them down and let them follow the chassis going for repair.

After that clear error codes.

If it should be necessary to transport the TV, it must not be placed on the front glass.

## SO WERDEN SERVICEARBEITEN AUSGEFÜHRT

Servicearbeiten am BeoCenter 1 werden im Hause des Kunden vorgenommen!

Für diese allgemeine Servicestrategie steht ein Reparaturkoffer zur Verfügung, in dem das Chassis des Fernsehgeräts und weitere Module enthalten sind.

Mit Hilfe dieses Koffers können Servicearbeiten auf einfache Weise im Hause des Kunden vorgenommen werden. Dies gilt auch für Zusatzmodule.

Wenn das Chassis des Fernsehgeräts ersetzt wird, müssen der alte EEPROM im Fernsehgerät verbleiben. Beide Chips befinden sich auf einem separaten, sehr kleinen Modul.

Auf diese Weise bleibt die Identität des Geräts vollständig erhalten.

Lesen Sie nach dem Ersetzen des defekten Chassis bitte die Fehlercodes aus diesem aus, notieren Sie die Fehlercodes und senden sie diese zusammen mit dem Chassis zur Reparatur ein.

Löschen Sie im Anschluß daran die Fehlercodes.

Falls das Fernsehgerät transportiert werden muß, ist zu beachten, daß es nicht auf die Frontscheibe gelegt werden darf.

## MAINTENANCE ET ENTRETIEN

La maintenance et l'entretien du téléviseur BeoCenter 1 doit s'effectuer au domicile du client !

Pour épauler la stratégie générale de service, une valise technique est disponible.

Elle contient un châssis de téléviseur et des modules supplémentaires.

Cet équipement permet d'assurer le service au domicile du client.

Des modules de fonctions sont inclus.

En cas de remplacement du châssis du téléviseur, laissez la mémoire EEPROM dans l'appareil. Les deux puces sont installées sur un module séparé de très petites dimensions.

De cette manière, l'identité du téléviseur reste intacte.

Après avoir remplacé le châssis défectueux, lisez et recopiez les codes d'erreurs, puis envoyez-les avec le châssis pour réparation.

Ensuite, effacez les codes d'erreurs.

S'il s'avère nécessaire de transporter le téléviseur, ne le placez pas sur la vitre avant.

### COME EFFETTUARE LA MANUTENZIONE

BeoCenter 1 è stato progettato perché sia possibile effettuare la manutenzione presso l'abitazione del cliente.

A supporto della strategia generale di manutenzione, è disponibile un set di manutenzione contenente lo chassis del televisore e moduli aggiuntivi.

Con tale set è possibile effettuare facilmente la manutenzione presso l'abitazione del cliente. Sono inclusi dei moduli accessori.

Se si sostituisce lo chassis del televisore, lasciare l'EEPROM nel set. Entrambi i chip sono collocati su un modulo separato di dimensioni molto piccole.

In tal modo, l'intera identità del set resta inalterata.

Dopo aver sostituito uno chassis danneggiato, leggere i codici di errore, prenderne nota e consegnarli insieme allo chassis inviato in riparazione.

È quindi possibile cancellare i codici di errore.

Nel caso sia necessario trasportare il televisore, non appoggiarlo sul vetro anteriore.

### EJECUCIÓN DE LAS TAREAS DE REPARACIÓN Y MANTENIMIENTO

Se supone que el BeoCenter 1 se va a reparar y mantener en la vivienda del cliente.

Para apoyar la estrategia general de reparación y mantenimiento, se dispone de un maletín auxiliar que contiene el chassis del televisor y módulos adicionales.

De este modo se pueden realizar fácilmente las tareas de reparación y mantenimiento en la vivienda del cliente. Se incluyen también módulos de funciones.

Si hubiera que sustituir el chassis del televisor, deje la EEPROM en el equipo. Estos dos chips están situados en un módulo independiente muy pequeño.

Haciéndolo así se mantiene la identidad completa del equipo.

Después de haber sustituido el chassis defectuoso, lea los códigos de error, anótelos y envíelos con el chassis que se manda para reparación.

Después de esto, borre los códigos de error.

Si fuera necesario trasladar el televisor, no debe colocarse sobre el cristal frontal.



<b>Satellite</b>	
Tuner range	950 - 2150 MHz
Tunings range & frequency display readout	10,700 - 12,750 MHz
No. of programmes	198 TV/Radio
Sound systems	Mono/Stereo
Satellite radio	Yes
Down converter control	14/18 volt, Tone (22kHz) or DiSeqC (one way control)
Connections	1 x F-connector
<b>Dimensions W x H x D/Weight</b>	
Dimensions	61 x 73 x 42 cm/ 40 kg
Power consumption	Typical 81 watts, St By < 0.5 watts
<b>Optional</b>	
Satellite module	4190
Set-top box Controller	4195
Floor stand, high	4187
Floor stand, low	4186
Table stand	4185
Video stand, high gloss black	4189
Wall bracket	4188

*TYPE SURVEY				Modification to other TV transmission systems		
Type	DVD Zone	System		B/G	B/G/L/L'/I/D/K	B/G/L/I/M/D/K
8500	2	B/G	EU		8053440	8053439
8502	3	I/M/D/K	HK	2*	8053440	2*
8503	2	I	GB	1*	1*	8053439
8505	4	B/G	AUS		8053440	8053439
8506	2	B/G/D/K	East EU		1*	8053439
8508	2	B/G/L/L'/I	F (GB)		1*	8053439

All types mentioned are equipped with PAL/SECAM/NTSC colour decoder.

8053439 TV chassis system B/G/L/I/M/D/K. Can be setup to systems B/G, L, M, D/K and I in service mode.

8053440 TV chassis system B/G/L/L'/I/D/K. Can be setup to systems B/G, L/L', D/K and I in service mode.

1\* Can be setup to systems B/G, L/L', D/K and I in service mode.

2\* Can be setup to systems B/G, L, M, D/K and I in service mode.

The DVD Zone can be changed in service mode.

V.TAPE & AV	Pin 1	Audio R out 1V RMS 150 ohms
	Pin 2	Audio R in 1V RMS 40 kohms
	Pin 3	Audio L out 1V RMS 150 ohms
	Pin 4	Audio GND
	Pin 5	Blue GND
	Pin 6	Audio L in 1V RMS 40 kohms
	Pin 7	Blue in 0.7 Vpp 75 ohms
	Pin 8	Play voltage: Logic 0 = 0V to 2V Logic 1 = 9.5V to 12V (4:3 info) 5V to 7V = 16:9 info V.TAPE Data in/out AV Data out
	Pin 9	Green GND
	Pin 10	Not used
	Pin 11	Green in 0.7 Vpp 75 ohms
	Pin 12	Not used
	Pin 13	Red GND
	Pin 14	Blanking GND
	Pin 15	Red in 0.7 Vpp 75 ohms (Note 1)
	Pin 16	Blanking in Logic 0 = 0V to 0.4V Logic 1 = 1V to 3V R in 75 ohms
	Pin 17	Video out GND
	Pin 18	Video in GND
	Pin 19	Composite video out 1 Vpp 75 ohms
	Pin 20	Composite video in 1 Vpp 75 ohms (Note 2)
	Pin 21	Shield
	Note 1: Pin 15 is also used for C in.	
	Note 2: Pin 20 is also used for Y in.	
VIDEO	Composite video in 1Vpp 75 ohms	
L & R	Audio L & R in 0.2V - 2 V RMS >10 kohms	
PHONES	Ø 3.5 mm 8 - 32 ohms	

Subject to change without notice

**CAUTION**

The use of any controls, adjustments or procedures other than those specified herein may result in hazardous radiation exposure.



The black and yellow label on the unit serves as a warning that the apparatus contains a laser system and is classified as a class 1 laser product. The apparatus must be opened by qualified service person only.

This product incorporates copyright protection technology that is protected by claims of certain US patents and other intellectual property rights owned by technology must be authorized by Macrovision Corporation, and is intended for home and other limited viewing uses only unless otherwise authorized by Macrovision Corporation. Reverse engineering or disassembly is prohibited.



Static electricity may destroy the product!

A static-protective field service kit must always be used when replacement of the modules takes place.

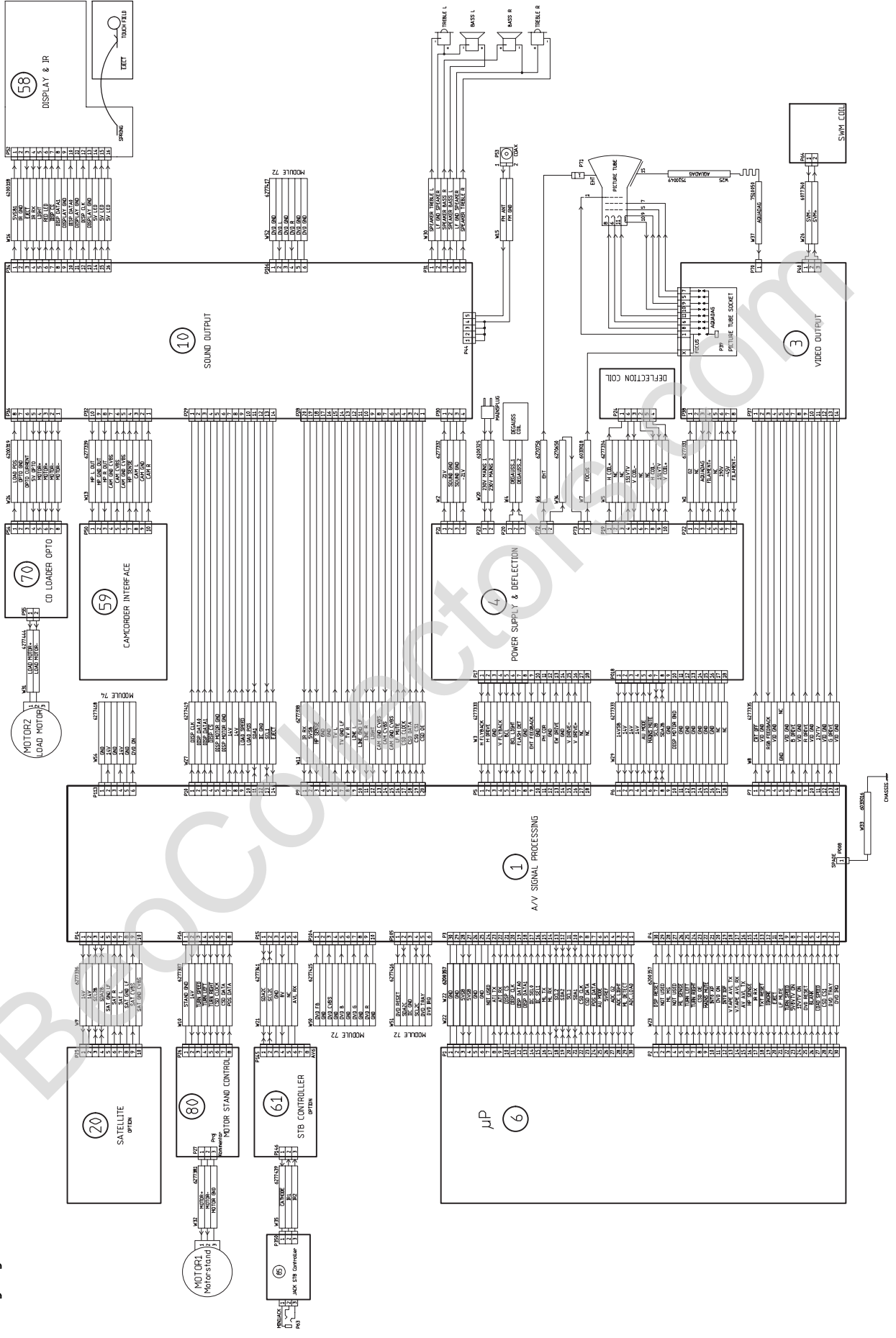
*Please note:*

When mains voltage on the TV is required, remove the connection from the TV to the ESD mat.

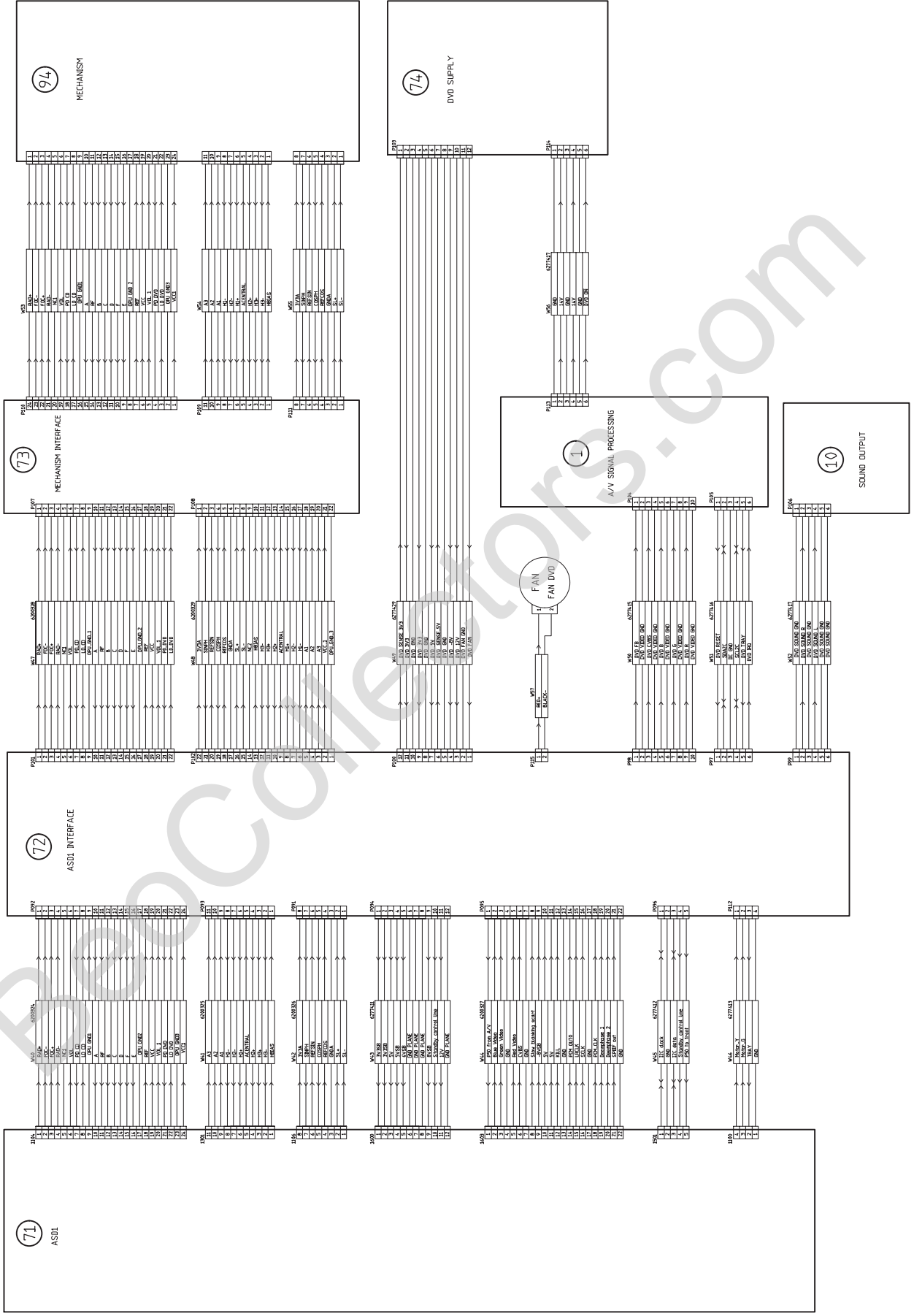




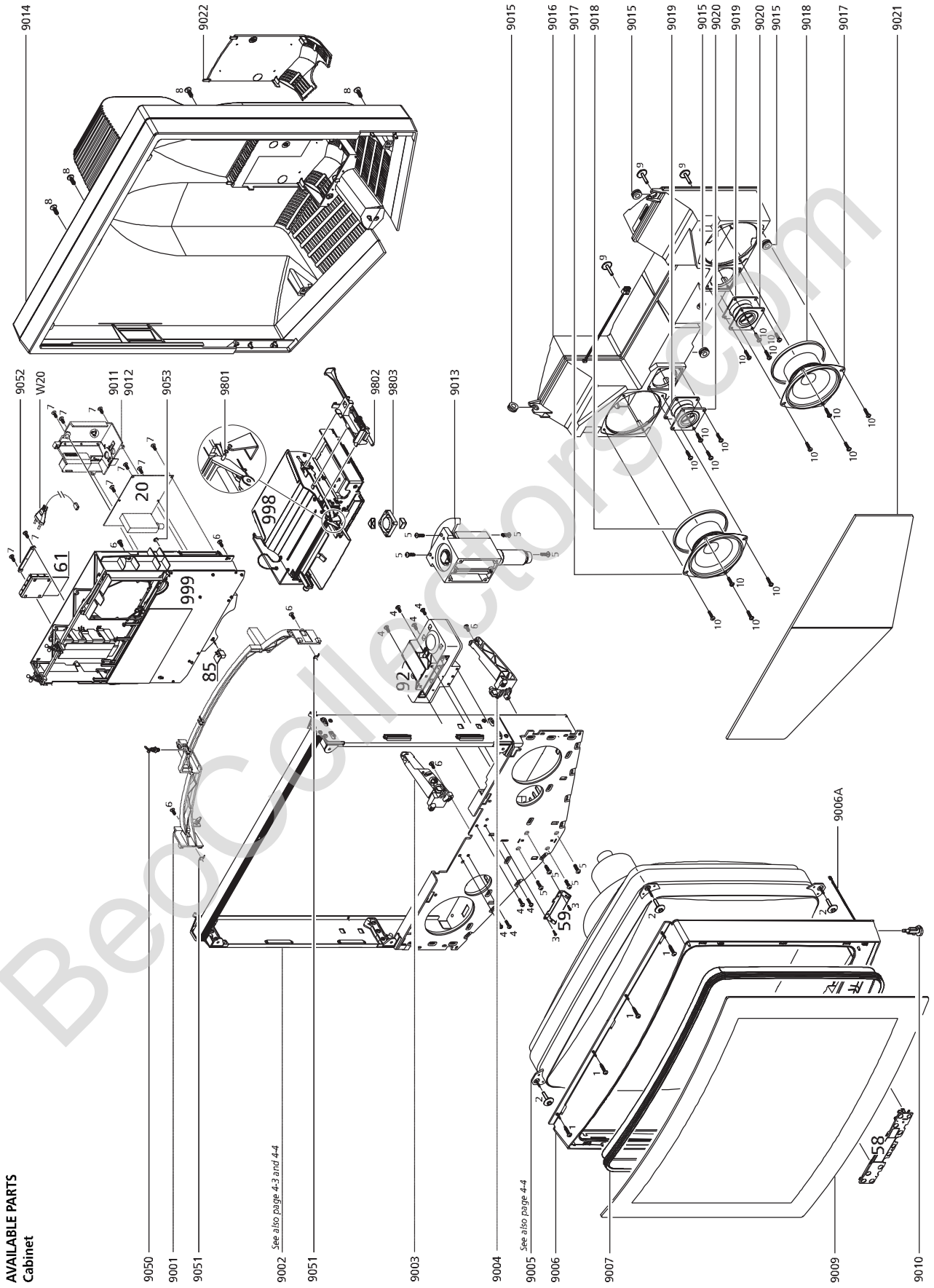
Wiring diagram



Wiring diagram



**AVAILABLE PARTS**  
**Cabinet**



**Cabinet**

9001	3151615	Holder f/chassis	9016	3440200	Loudspeaker box, complete w/speakers
9002	8052650	Frame f/picture tube, complete	9017	8480214	Woofers
9003	3151546	Holder f/chassis, left	9018	3340097	Gasket f/woofer
9004	3151545	Holder f/chassis, right	9019	3340098	Gasket f/tweeter
9005	8200111	Picture tube	9020	8480292	Tweeter
9006	3320538	Frame f/contrast screen incl. pos. no. 9010	9021	3320435	Cloth front, yellow
9006A	6033016	Gound wire f/frame		3320436	Cloth front, blue
9007	3340185	Gasket f/contrast screen		3320437	Cloth front, green
9009	3451651	Contrast screen, coated		3320438	Cloth front, red
9010	2391100	Screw f/contrast screen		3320439	Cloth front, grey
9011	3160180	Cover f/FM	9022	3320432	Cloth front, black
9011B	3160199	Cover f/LS		3440210	Cable cover, blue
9012	3160181	Cover f/SAT		3440211	Cable cover, green
9013	3130147	Turn mechanism		3440212	Cable cover, red
9014	3440192	Back cover, blue		3440213	Cable cover, grey
	3440193	Back cover, green		3440214	Cable cover, black
	3440194	Back cover, red	9050	3440215	Cable cover, yellow
	3440195	Back cover, grey	9051	2515063	Wire holder
	3440196	Back cover, black	9052	7500250	Contact pin
	3440197	Back cover, yellow	9053	3151607	Holder f/PCB61
9015	2937313	Rubber bushing		2380145	Nut /PCB85

W20	6100325	Mains lead EU
	6100404	Mains lead GB
	6100391	Mains lead 4.5m

6Module		PCB6, Main microcomputer
6IC3	8343837	27C801 EPROM
6IC6	8343712	28C256 EEPROM

*PCB6, Main microcomputer is not available as spare part*

20Module	8006504	PCB20, Satellite
----------	---------	------------------

58Module	8006840	PCB58, Display/IR
----------	---------	-------------------

59Module	8005688	PCB59, Camcorder Interface
----------	---------	----------------------------

61Module	8005946	PCB61, STB-Controller
----------	---------	-----------------------

85Module	8008903	Jack STB-Controller
----------	---------	---------------------

92Module	8006502	PCB92, Motor stand, complete
----------	---------	------------------------------

998Module	8053441	Sound/DVD chassis modules consist of PCB10, PCB70, PCB71, PCB72, PCB73, PCB94
-----------	---------	---

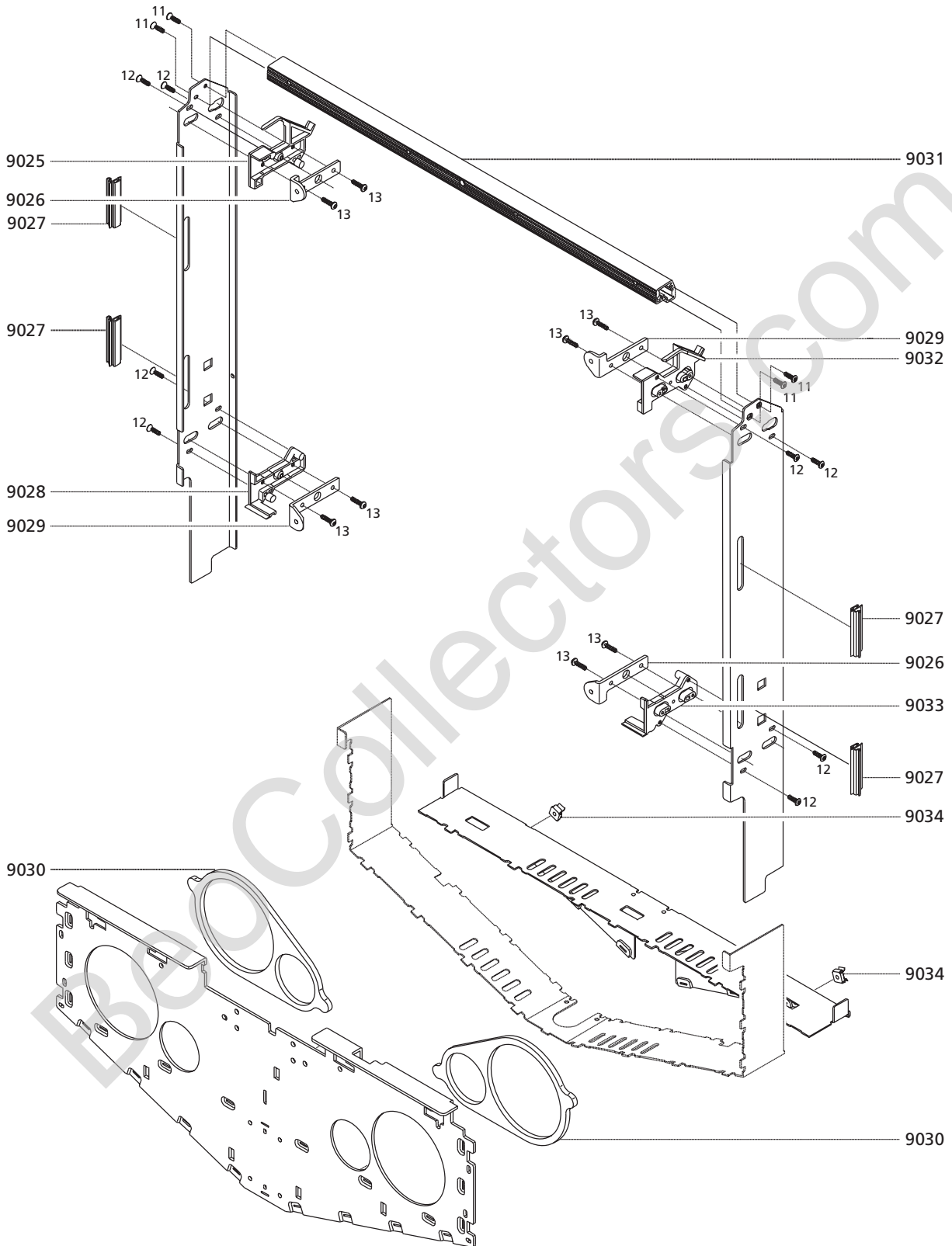
9801	2732149	O-Ring
9802	2776642	Button f/mains switch
9803	8400229	Fan incl. corners

999Module		Main chassis consist of PCB1, PCB3, PCB4, PCB6, PCB74
	8053438	Main chassis, system B/G
	8053439	Main chassis, system B/G/L/D/K/M/I
	8053440	Main chassis, system B/G/L/L'/D/K

**Survey of screws**

1	2054025	Screw 4 x 10mm	6	2019021	Screw 4 x 12mm
2	2044047	Screw 5 x 15mm	7	2013137	Screw 3 x 10mm
3	2013176	Screw 3 x 6mm	8	2052019	Screw 5 x 14mm
4	2054027	Screw 4 x 8mm	9	2052025	Screw 4 x 12mm
5	2013223	Screw 4 x 10mm	10	2013123	Screw 3 x 10mm

Frame f/picture tube



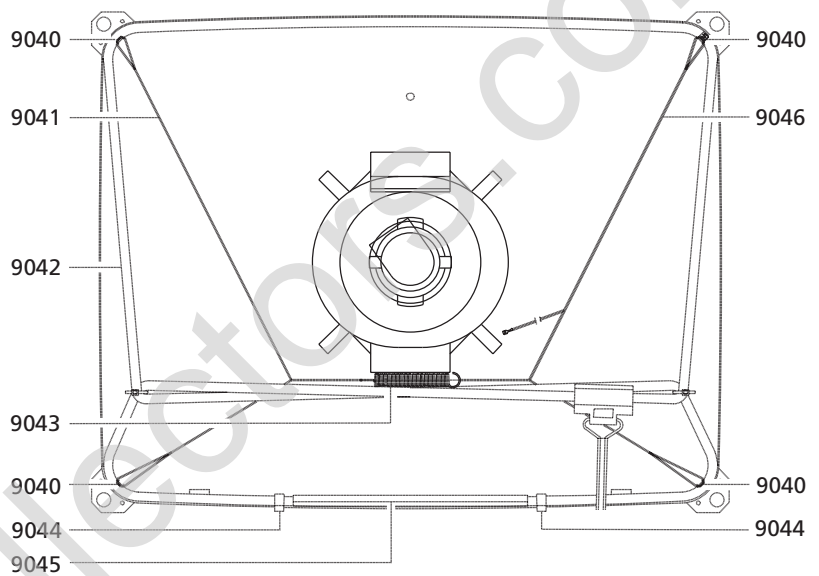
**Frame f/picture tube**

9025	3151540	Holder f/picture tube, left, top
9026	2530568	Bracket f/picture tube
9027	3014124	Rubber slip
9028	3151539	Holder f/picture tube, left, bottom
9029	2530569	Bracket f/picture tube
9030	3332076	Gasket f/loudspeakers
9031	2569515	Profile
9032	3151542	Holder f/picture tube, right, top
9033	3151541	Holder f/picture tube, right, bottom
9034	2380178	Clips nut

**Survey of screws**

11	2013222	Screw 3.5 x 12mm
12	2013221	Screw 4 x 14mm
13	2013224	Screw 4 x 12mm

**Picture tube**

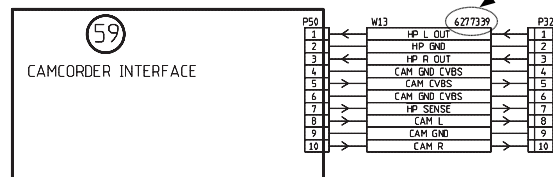


9040	3151563	Holder f/degaussing coil
9041	7510049	Ground current
9042	8022342	Degaussing coil
9043	2810189	Spring f/ground current
9044	3152778	Holder f/degaussing coil
9045	3332077	Condensator f/Sound Output
9046	7510050	Ground current w/wire

**Wire bundles**

See wiring diagram page 3-1.

The part no. is printed on the diagram above the wire bundle, as shown.



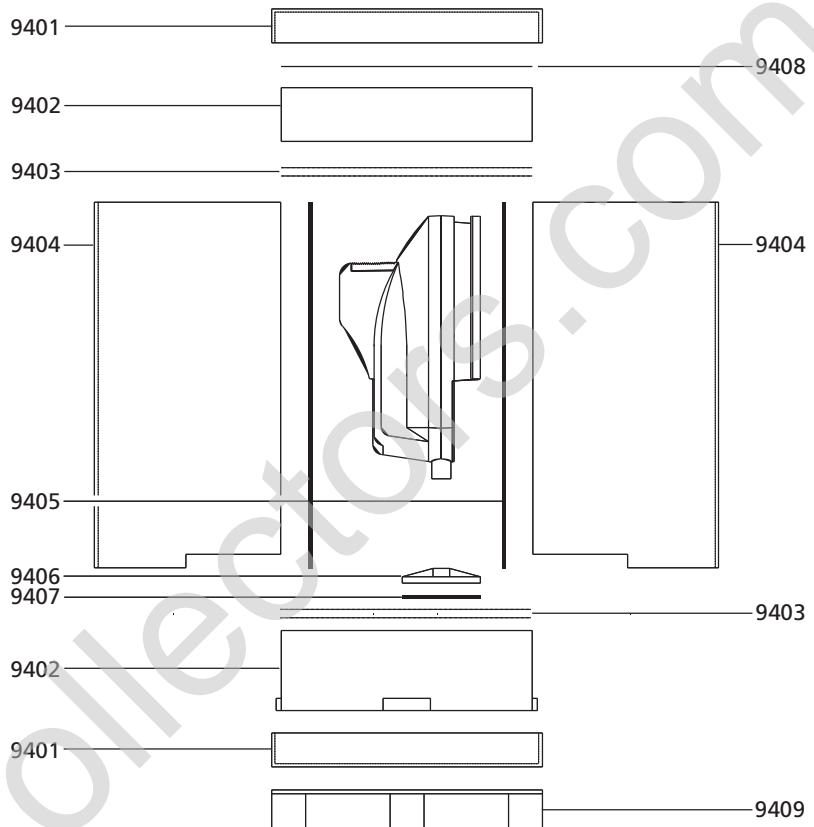
**Parts not shown**

- 3658271 Product cover
- 2752068 Service stand
- 3395160 Back up suitcase, system B/G
- 3395161 Back up suitcase, system B/G/L/D/K/MI
- 3395162 Back up suitcase, system B/G/L/L/VD/K

**Accessories**

See specification guidelines page 1-3

**Packing**

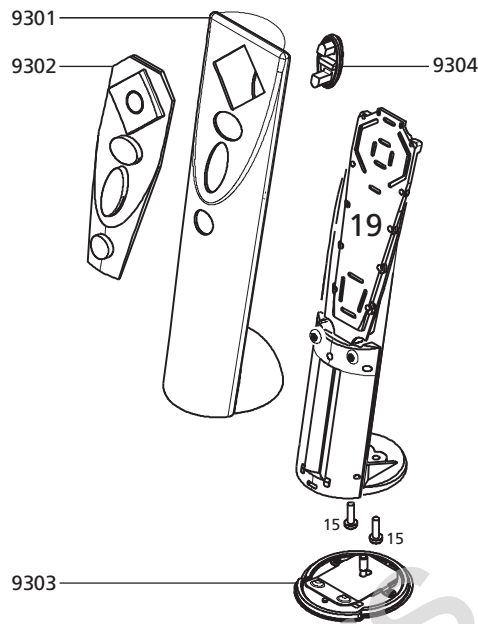


- 9401 3392410 outer carton top/bottom - order 2pcs.
- 9402 3396017 Foam packing, set of top and bottom, incl. pos. no. 9406 and 9407
- 9403 3917105 Foam foil - 1200 x 600mm
- 9404 3392572 Outer carton, side - order 2pcs.
- 9405 3392576 Masonite (AUS-HK)
- 9406 Support, not for sale
- 9407 Support, not for sale
- 9408 3392430 Masonite (AUS-HK)
- 9409 3392229 Wooden palet
- 3392443 Wooden palet (AUS)

3946176 Bag w/15m strap and 3 holders



**Beo1**



93Module	8053504	Beo1, grey, complete
9301	3410083	Cabinet
9302	3167091	Buttons
9303	3162688	Bottom
9304	3167110	Button, REC-STOP
	8700030	Batteries - 4 pcs.
	3160202	IR damper
	3629135	IC-pliers
	3629134	Screwdriver

19Module	8006537	Chassis f/Beo1
----------	---------	----------------

Survey of screws	15	2054021	Screw 8 x 25mm
------------------	----	---------	----------------

**Available documentation**

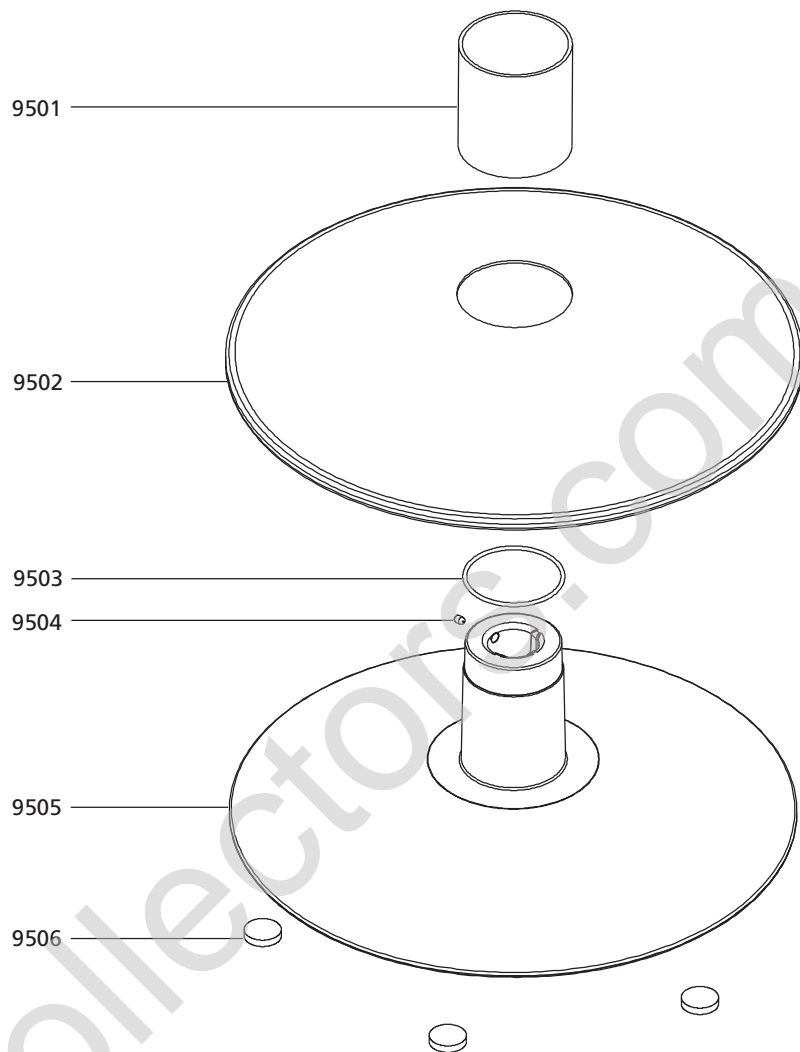
3508312	User's Guide, Danish
3508313	User's Guide, Swedish
3508315	User's Guide, English
3508316	User's Guide, German
3508317	User's Guide, Dutch
3508318	User's Guide, French
3508319	User's Guide, Italian
3508320	User's Guide, Spanish
3508314	User's Guide, Finnish
3508321	User's Guide, Hebrew
3508322	User's Guide, Portuguese
3508323	User's Guide, Greek

3503859	Reference Book, Danish
3503860	Reference Book, Swedish
3503862	Reference Book, English
3503863	Reference Book, German
3503864	Reference Book, Dutch
3503865	Reference Book, French
3503866	Reference Book, Italian
3503867	Reference Book, Spanish
3503861	Reference Book, Finnish
3503868	Reference Book, Hebrew
3503869	Reference Book, Portuguese
3503870	Reference Book, Greek

3543318	On-Site service guide - English, German, French, Italian, Spanish, Danish, Dutch
---------	--

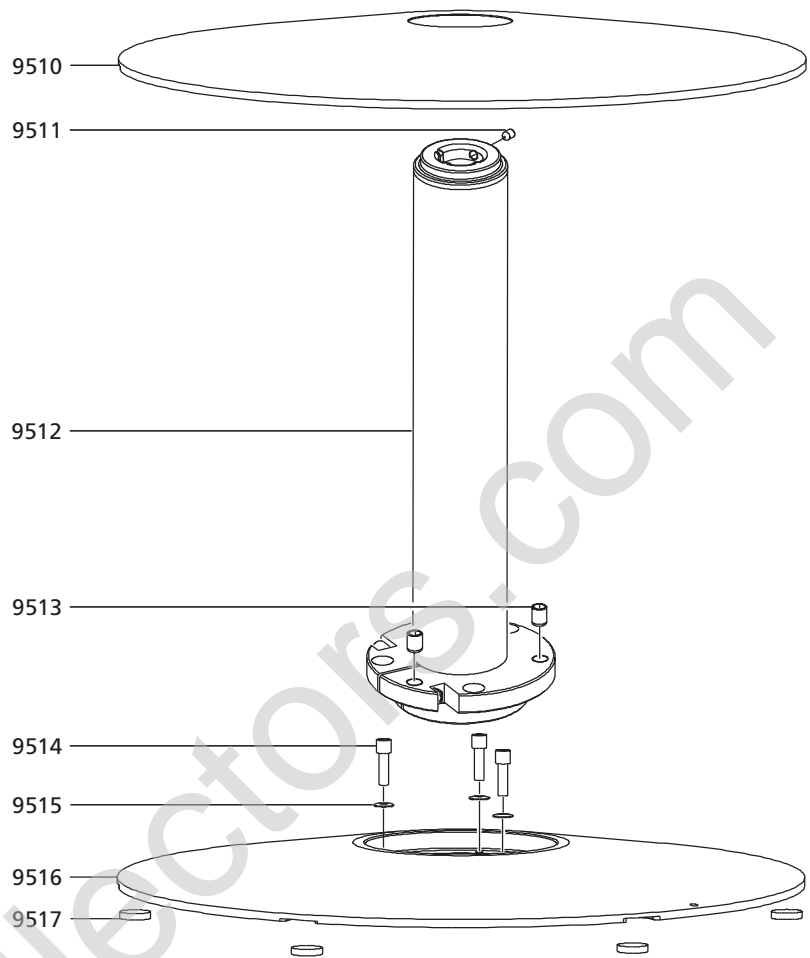
**Table stand**

ST 4185



9501	2950189	Cover tube
9502	3459104	Base cover plate
9503	2732137	O-ring
9504	2015169	Pointed screw
9505	2752066	Base w/pos. no. 9504 and 9506
9506	3103386	Rubber washer
	3390585	Cable cover, grey 1.6m
	3390582	Bag w/wire holder, 4 cable straps and 2 screws
	3504548	Setting-up guide
	3396037	Foam
	3392594	Outer carton

**Floor stand, low**  
ST 4186

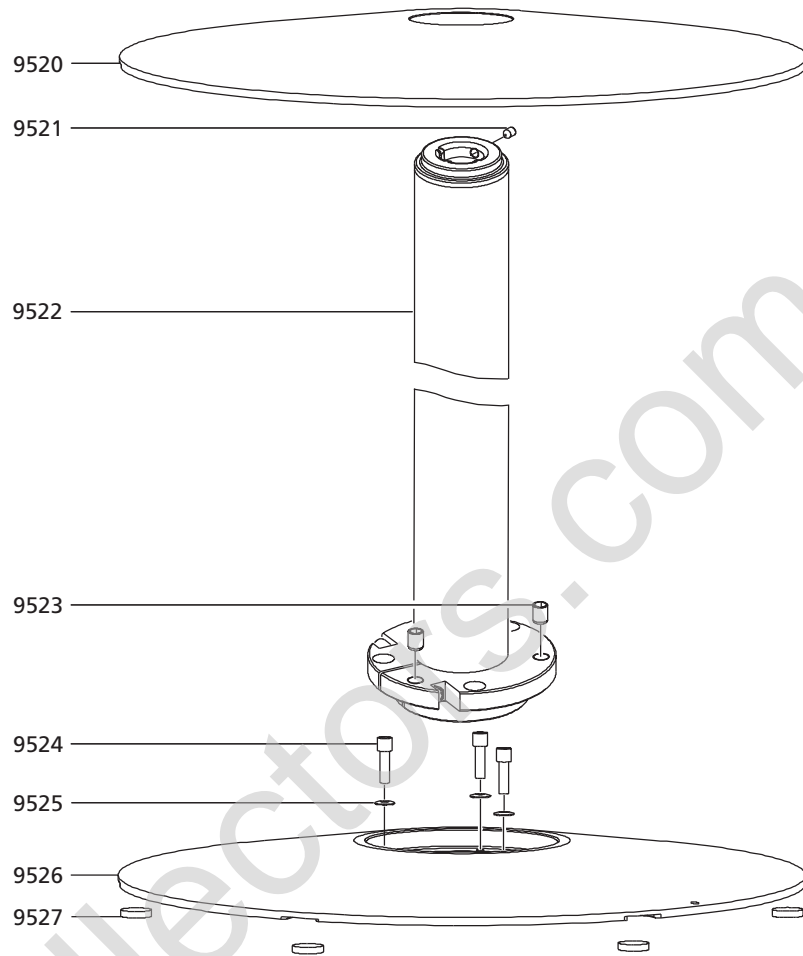


9510	3459103	Base cover plate
9511	2015169	Pointed screw
9512	2954026	Tube w/pos. no. 9511 and 9513
9513	2015172	Pointed screw
9514	2015173	Screw
9515	2620133	Washer
9516	2752065	Base w/pos. no. 9514, 9515 and 9517
9517	3103386	Rubber washer

- 3390585 Cable cover, grey 1.6m
- 3504549 Setting-up guide
- 3396038 Foam
- 3392595 Outer carton
- 3390596 Bag w/parts, screws etc.

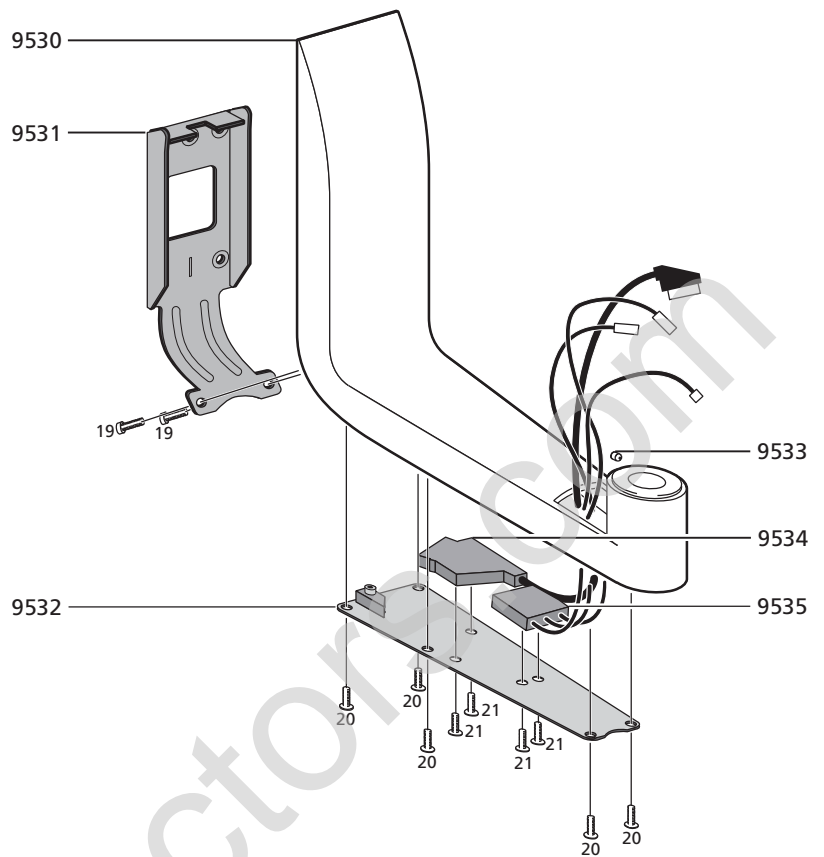
**Floor stand, high**

ST 4187



9520	3459102	Base cover plate
9521	2015169	Pointed screw
9522	2954024	Tube w/pos. no. 9521 and 9523
9523	2015172	Pointed screw
9524	2015173	Screw
9525	2620133	Washer
9526	2752058	Base w/pos. no. 9524, 9525 and 9527
9527	3103386	Rubber washer
	3390585	Cable cover, grey 1.6m
	3160197	Cover f/Camcorder plug
	6100391	Mains lead 4.5m
	3504550	Setting-up guide
	3396041	Foam f/tube
	3392600	Outer carton f/tube
	3396065	Packing, complete f/Base pos. no. 9526

**Wall bracket**  
WB 4188



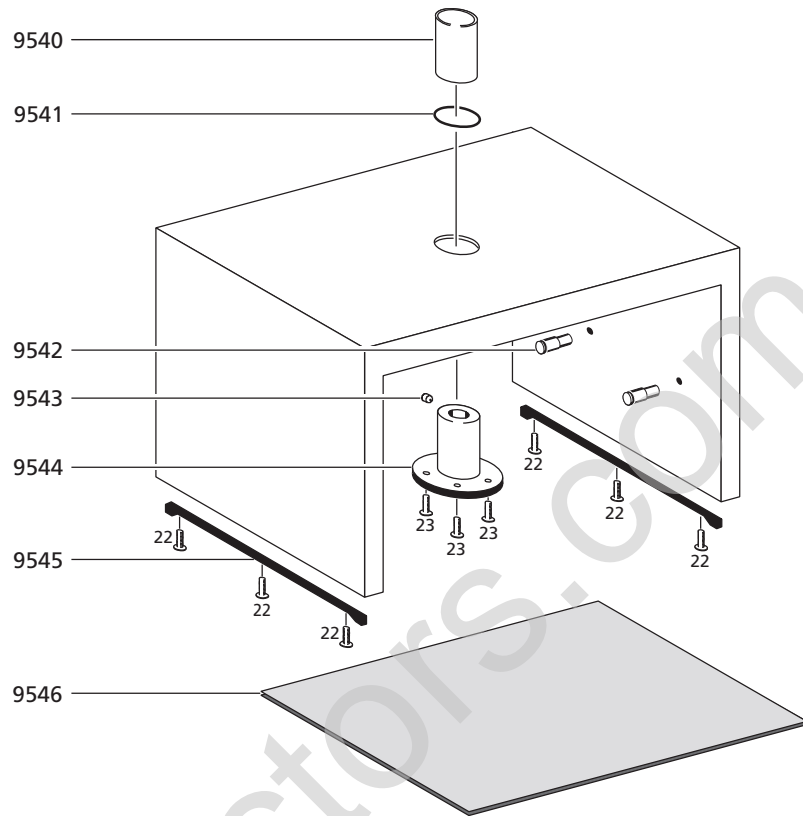
9530	3151630	TV bracket w/pos. no. 9533
9531	3151631	Wall bracket
9532	3151632	Bottom plate
9533	2015169	Pointed screw
9534	6270780	AV cable
9535	6270781	Phono cables
	3390585	Cable cover, grey 1.6m
	3040039	Allen key
	3504551	Setting-up guide
	3396057	Foam
	3392642	Outer carton

Survey of screws

19	2013225	Screw
20	2013226	Screw
21	2013227	Screw

**Video stand**

ST 4189



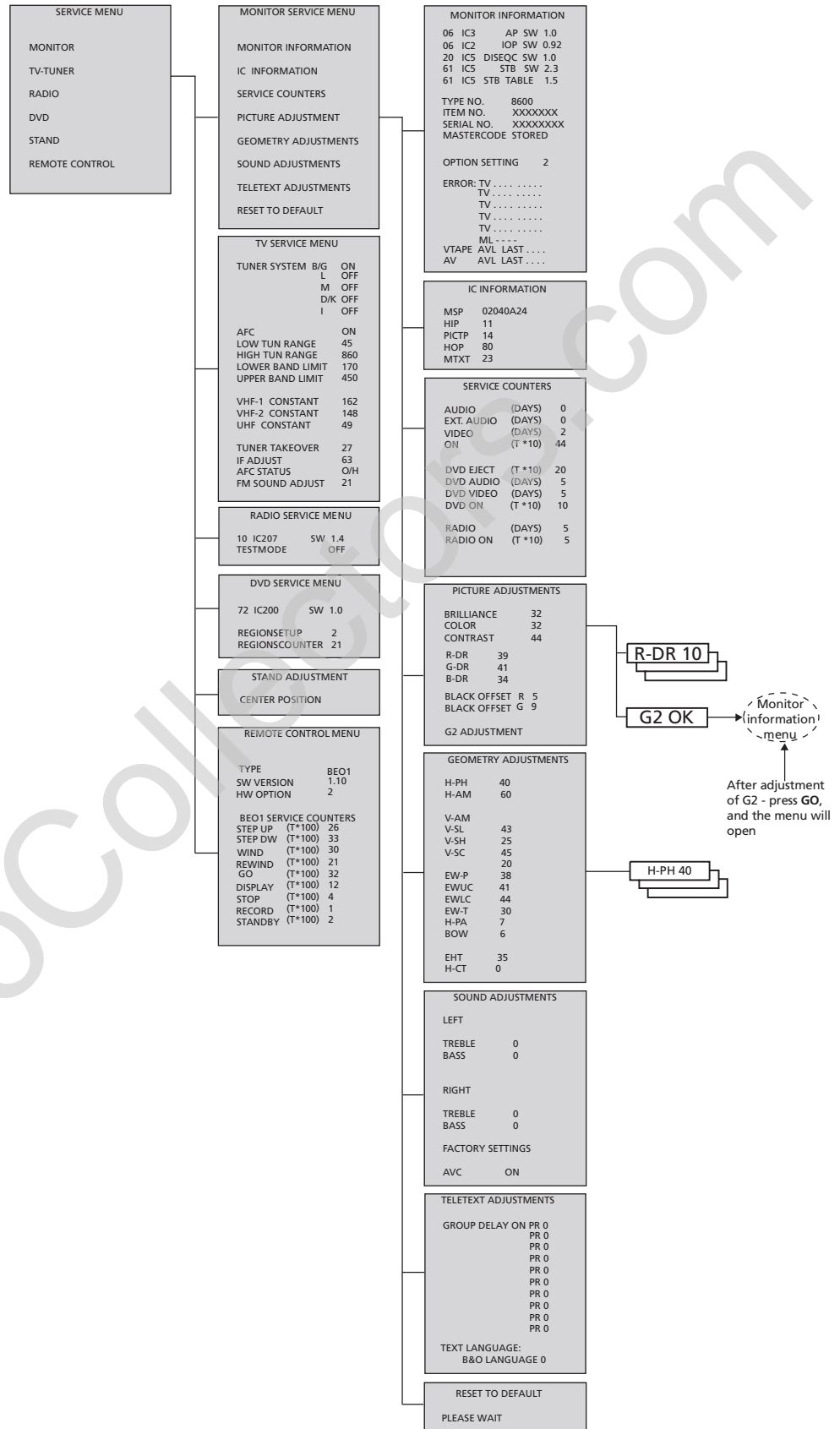
9540	2950196	Cover, tube
9541	2732137	O-ring
9542	3151622	Retainer
9543	2015169	Pointed screw
9544	3130247	Base
9545	3103394	Foot f/video stand
9546	3451598	Shelf, glass
	3390598	Cable cover, black 1.6m
	3390582	Bag w/wire holder, 4 cable straps and 2 screws
	3504552	Setting-up guide
	3396058	Foam
	3392643	Outer carton

Survey of screws

22	2013230	Screw
23	2013231	Screw

**ADJUSTMENTS**

Most of the adjustments is made in Service Mode. Below see an overview of the Service Mode menus.



### Access to Service Mode

Select a SETUP menu.

Beo1: Press **STOP STOP GO** within 3 seconds.

Beo4: Press **0 0 GO** within 3 seconds.

Select ordinary menu operation to leave Service Mode.

Operation in Service Mode.

Beo1	Beo4	Activity
DISPLAY	EXIT	Removes the menus
<b>GO</b>	<b>GO</b>	- Selects the sub menu to the menu line where the cursor is placed - Stores the selected values and returns to the SERVICE MENU - Deletes error codes in the MONITOR INFORMATION menu and returns to the SERVICE MENU
▲	▲	Moves the cursor up and returns to the previous menu
▼	▼	Moves the cursor down and selects a sub menu in special occasions
◀▶	◀▶	Selects new values in the menus

See the section "Brief Operation Guide" for general information on operation.

### ADJUSTMENTS

*Important!*

*When replacing the electrical chassis including PCB1 AV signal processing, PCB3 Video output, PCB4 Power supply & deflection, and PCB6 Main microcomputer, to avoid loss of data the old EEPROM 61C6 must be moved to the new PCB6.*

*At the bottom left-hand corner of PCB1, AV signal processing, there is a small label where the adjustment values for TUNER TAKEOVER, IF ADJUST and FM SOUND ADJUST are written. These values must be written into the old EEPROM.*

*When replacing PCB6 the old EEPROM 61C6 also must be moved to the new PCB6.*

### Stand

To be adjusted when the gear box with the motor stand control PCB80 has been mounted in the TV, or if any part of the electrical chassis that contains PCB6 with the EEPROM 61C6 has been replaced.

- Enter Service Mode and select the STAND line.
- Press **GO**, when *CALIBRATION OK* is displayed the centre position of the motorized stand has been found.

For the following adjustments a standard 4:3 test pattern (e.g. Philips) should be used.

### Focus

- Adjust to optimum focusing of the vertical lines as viewed approx. 10cm/4" from the edge of the screen by means of 4R485 (FOCUS).



## Picture adjustments

- Picture adjustments shall only be done in format 1 (4:3).
- Enter Service Mode and select the MONITOR line.
  - Select the PICTURE ADJUSTMENTS line.
  - Remove the colors (COLOR = 0).
  - Adjust R-DR, G-DR and B-DR to correct white level.
  - Adjust BLACK OFFSET R and BLACK OFFSET G to correct grey level.
  - Select the G2 ADJUSTMENT line. The screen now turns black and the small display at the top of the screen will show G2 HIGH, G2 OK or G2 LOW. Adjust by means of 4R485 (G2) the display shows G2 OK.
  - Press ▲ and the display will show BL-G X. Then press GO.
  - Select the COLOR line and set the value to the same as before the adjustment. Then press GO.

## Geometry adjustments

Geometry adjustments have to be done in format 1 (4:3) and format 2 (16:9).

Some of the adjustments are fixed and should not be adjusted:

Vertical Slope (V-SL)	Must always be set to 25
Vertical S-Correction (V-SC)	Must always be set to 20
Horizontal sensitivity (EHT)	Must always be set to 38

The adjustments must be done first in format 1 (4:3).

- Enter Service Mode and select the MONITOR line.
- Select the PICTURE ADJUSTMENTS line.
- Select the BRILLIANCE line and set the brilliance to max. (62). Then press GO.
- Select the GEOMETRY ADJUSTMENTS line.
- Select the BOW (Horizontal BOW) line and set it to 8.
- Select the H-AM (Horizontal AMplitude) line and adjust until the phosphor edge is visible at both sides of the picture. Select the H-CT (Horizontal CenTering) line and adjust to one of the three positions that gives the best centering of the picture. Select the H-AM line and adjust to correct picture width. Then press GO and ▲ to select the PICTURE ADJUSTMENTS line.
- Select the BRILLIANCE line and set the value to the same as before the adjustment. Then press GO.
- Select the GEOMETRY ADJUSTMENTS line.

### Horizontal Phase (H-PH)

- Adjust H-PH to the correct centering of the picture.

### Horizontal Amplitude (H-AM)

- Adjust H-AM to the correct width of the picture.

### Vertical Amplitude (V-AM)

- Adjust V-AM so that the picture fits at the top and bottom.

### Vertical SHift/centering (V-SH)

- Adjust V-SH until the centre of the picture is at the centre of the screen.

### East/West Parabola (EW-P)

- Adjust EW-P to the correct geometry at the sides. The middle part of the vertical lines must be as straight as possible.

**EastWest Upper Corner (EWUC)**

- Adjust EWUC to the correct geometry at the upper corners.

**EastWest Lower Corner (EWLC)**

- Adjust EWLC to the correct geometry at the lower corners.

**EastWest Trapezium (EW-T)**

- Adjust EW-T to the correct geometry.

**Horizontal PARallelogram (H-PA)**

- Adjust H-PA to the correct geometry.

**Horizontal BOW (BOW)**

- Adjust BOW until the vertical lines at both sides of the picture are straight.

It may be necessary to repeat some of the adjustments.

- Press **GO** to store the adjustments.

Exit Service Mode.

BeoCollectors.com

**Geometry adjustments in format 2 (16:9)**

Only the adjustments mentioned has to be done.

- Select the TV SETUP menu.
- Select the PICTURE FORMAT line in the TV SETUP menu.
- Enter Service Mode and select the MONITOR line.
- Select the GEOMETRY ADJUSTMENTS line.

When selecting an adjustment item the picture must change to 16:9.

**Horizontal Amplitude (H-AM)**

- Adjust H-AM to the correct width of the picture.

**Vertical Amplitude (V-AM)**

- Adjust V-AM so that the picture fits at the top and bottom, there must be approx 10cm. from the bottom of the circle to the bottom of the visible screen.

**Vertical SHift/centering (V-SH)**

- Adjust V-SH until there is approx. 8mm. from the top of the circle to the top of the visible screen.

**East/West Parabola (EW-P)**

- Adjust EW-P to the correct geometry at the sides. The middle part of the vertical lines must be as straight as possible.

**East/West Upper Corner (EWUC)**

- Adjust EWUC to the correct geometry at the upper corners.

**East/West Trapezium (EW-T)**

- Adjust EW-T to the correct geometry.

**Horizontal PARallelogram (H-PA)**

- Adjust H-PA to the correct geometry.

It may be necessary to repeat some of the adjustments.

- Press **GO** to store the adjustments.

Exit Service Mode.

## SERVICE MODE

The Service Mode consists of two parts: Service menu and ignore mode. On page 5-1 see an overview of the Service Mode menus, and operation in Service Mode.

### SERVICE MENU

The STAND line is only shown if the TV is fitted with motorized stand. The function is described in the section on adjustments.

### MONITOR SERVICE MENU

The PICTURE ADJUSTMENTS and GEOMETRY ADJUSTMENTS lines are described in the section on adjustments.

### MONITOR INFORMATION

- Software version numbers
  - The "20 IC5 DiSeqC SW 1.0" line is only shown if the TV is fitted with satellite receiver.
  - The "61 IC5 STB SW 1.0" line is only shown if the TV is fitted with set top box controller.
  - The "61 IC5 STB TABLE 1.0" line shows the version of conversion of set top box remote control codes into Beo1 and Beo4 codes.
- Type, item and serial numbers
- Theft protection status. Shows if the Master code is correctly entered (STORED/ NOT STORED)
- Option programming
- Latest five TV errors
- Latest ML error
- Latest AVL error from the V.TAPE and AV sockets

### OPTION SETTING

Option 0 = The IR receiver of the TV is disconnected.

Option 1 = Two IR-eyes in the same room.

Option 2 = One IR-eye in the same room.

Option programming can only be done by using a Beo4 remote control.

After repair of an error that has triggered the display of an error code, the error code has to be deleted. This is done by pressing **GO** in the MONITOR INFORMATION menu.

### IC INFORMATION

Shows the version numbers for the IC's mentioned.

MSP = 1IC550 (MSP3410D), HIP = 1IC100 (TDA9321H),  
 PICTP = 1IC300 (TDA9178), HOP = 1IC350 (TDA9330H),  
 MTXT = 1IC500 (SDA5275-2).

### SERVICE COUNTERS

AUDIO = audio mode, the EHT voltage is off.

EXT.AUDIO = extended audio mode, the EHT voltage is off but there is supply voltage on all other TV circuits.

VIDEO = audio/video mode.

ON (T\*10) = shows how many times the set has been turned on from stand by.

DVD EJECT (T\*10) = eject of the DVD loader.

DVD AUDIO = playback of CDA/DVD audio.

DVD VIDEO = playback of CDV/DVD video.

DVD ON (T\*10) = shows how many times the DVD has been turned on.

RADIO = playing radio.

RADIO ON (T\*10) = shows how many times the radio has been turned on.

(T\*10) = The numbers are stated in interval of 10 (e.g. 10 = 100). The number is given in full tens.

The values are stored in the EEPROM. If faulty readings of the values in the EEPROM occur all service counter values will be set to 0.

#### SOUND ADJUSTMENTS

The sound adjustment is only necessary when replacing one of the speaker units.

A value of 9 makes a damping of 0 dB, a value of 0 makes a damping of 9 dB.

If the left-hand treble speaker has been replaced:

Place the cursor on LEFT TREBLE, now the sound will alternate between the left-hand and the right-hand speakers.

Adjust by means of ◀ and ▶ until the sound pressure level is identical from both channels.

Press GO to store.

If the adjustment failed, place the cursor on the FACTORY SETTINGS line, now the values will be restored to factory settings.

Now repeat the adjustment.

AVC = Automatic Volume Control, can be set to OFF when measuring in the audio circuits. The AVC is set to ON when the TV has been turned off by means of the mains switch.

#### TELETEXT ADJUSTMENTS

##### GROUP DELAY ON

Group delay errors in certain cable aerial systems can disturb the reception of teletext. This is prevented by connecting a filter in series with the CVBS signal applied to the teletext decoder.

PR are programme numbers, if all programme numbers are 0, no filter has been connected on any programme number.

If you wish to connect a filter on a programme number, select a PR line by pressing ▲ or ▼, then press ◀ or ▶ to select the desired programme number and finally press GO.

Selecting "B&O LANGUAGE" makes it possible to choose among 6 different teletext character sets.

- 0 English, German, Swedish, Italian, French, Portuguese, Slovak
- 1 Polish, German, Swedish, Italian, French, Croatian, Slovak, Rumanian
- 2 English, German, Swedish, Italian, French, Portuguese, Turkish
- 3 English, Russian, Estonian, Czech, German, Lithuanian, Ukrainian
- 4 English, German, Swedish, Italian, French, Portuguese, Turkish, Greek
- 5 English, Arabic, French
- 6 English, Hebrew, Arabic

If languages 3 to 6 are chosen it is not possible to receive teletext level 2.5 d/r/c/s characters.

If languages 3 to 6 are chosen it is not possible to make animation in the programme list in teletext mode.

## RESET TO DEFAULT

When this line is selected the settings will be defined.

- All TV, satellite and radio programmes are cleared.
- The V.TAPE and AV sockets are set to NONE.
- In the PICTURE ADJUSTMENT service menu the values for brilliance, color and contrast are set to default.
- All programme lists are cleared.
- The TV SETUP TUNE menu (if there is no satellite receiver) will be shown the first time the TV is switched on.
- OPTION is set to 2.
- The theft protection setup is not changed.

When RESET TO DEFAULT is selected a text "PLEASE WAIT" is displayed. While the text is displayed no operation must be done. When the text disappears Service Mode is exited.

## SERVICE MENU

## TV SERVICE MENU

In TUNER SYSTEM it is possible to set only relevant tuner systems to ON (only multi standard TV's). This is done to reduce the tuning time.

AFC ON/OFF is used in connection with adjustments but it may also be useful in other situation.

The AFC is set to ON when the TV has been turned off by means of the mains switch.

LOW TUN RANGE	45
HIGH TUN RANGE	860
LOWER BAND LIMIT	170
UPPER BAND LIMIT	450

VHF-1 CONSTANT	162
VHF-2 CONSTANT	148
UHF CONSTANT	49

These items are for factory use.

TUNER TAKEOVER	27
IF ADJUST	63
AFC STATUS	I/L
FM SOUND ADJUST	14

These items are described in the section on adjustments.

## RADIO SERVICE MENU

- Radio software version number.

With TESTMODE ON:

- The update routine stops.
- Sets the FM bandwidth filter to wide.
- Sets the search level to "First Stop", meaning that the tuning will stop on more weak stations during test mode than in normal operation.
- Removes 20 dB damping on strong stations.

## DVD SERVICE MENU

- PCB72 software version number.

## REGIONSETUP:

Region codes (1 - 11) if the region code has not been changed in this menu it will be shown as a - (stroke). The DVD loader must be closed with no disc when the region setup is performed.

## REGIONSCOUNTER:

In this line it is shown how many times the region code has been changed.

Connection between primary/secondary TV colour systems and region codes:

	Region 1	Region 2	Region 3	Region 4	Region 5	Region 6
NTSC/PAL	1	7	8	9		
PAL/NTSC		2	3	4	5	6
NTSC/PAL N				10		
PAL M/PAL				11		

**IMPORTANT!**

*The number of times to change the region setting is limited. If this limit is exceeded the DVD will cease to function!*

Region code according to type no.

Type no.	Region code
8500	2
8502	3
8503	2
8505	4
8506	2
8508	2

PCB71 software version number:

- Exit Service Mode.
- Load a DVD and play it.
- Press **DISPLAY** ([GREEN] Beo4) until the OSD menu is shown.
- Press **◀** to move to the left-hand side in the menu.
- Press **▼** to move to the bottom of the menu.
- Press **▶▼▼▼** and the software version number is displayed.

## REMOTE CONTROL MENU

Access to Beo1 test mode:

- The REMOTE CONTROL MENU must be displayed.
- Point Beo1 away from the TV so the TV does not receive the IR codes.
- Press the **DISPLAY** button and keep it down.
- Press the **STANDBY** button and keep it down, now press the **STOP** button to enter test mode.

## SW VERSION

Press **STOP** and **▼** simultaneously. When the buttons are released the sw version is displayed.

The HW OPTION is for factory use.

Exit test mode, press the **DISPLAY** button.

The BEO1 SERVICE COUNTERS count the number of pressures on the Beo1 buttons. Continuous pressure is not registered.

There is no counter for the **VOLUME** button, as Beo1 cannot tell the difference between a single pressure or continuous pressure for this button.

## AUTO DEMONSTRATION

The TV must be in stand by mode.

Press **LIST** on Beo4 until the display shows **SP.DEMO**, then press **GO**.

- The TV is set to option 0.
- The DVD tray moves out.
- The V.TAPE socket must be used as input and it must be set to V.AUX.
- There is no sound.
- The display shows "DVD".

To inactivate the function, press **LIST** on Beo4 until the display shows **SP.DEMO**, then press **GO**. The DVD tray moves in, option is set to 2 and the TV goes into stand by.

**Bus ignore mode**

If an error occurs in the IIC bus system which makes the TV go into stand by every time it is attempted to be switched on, it is possible to switch on the TV in such a way that the error is ignored:

- The TV must be in stand by.
- Short-circuit the two solder pads (marked J40 coordinate 11A on PCB1).
- Press **GO** Beo1, **TV** Beo4. The TV will now start up in bus ignore mode with service menu if possible.

*IMPORTANT! If the TV is started up in ignore mode it may result in further damage to the TV.*

- Exit ignore mode. Turn off the TV.



**CUSTOM LNB SETUP**

This setting up guide only has to be used if the customer has a special LNB setup and not an universal LNB.

For normal operation see brief operation guide.

Select the "SAT TUNING" menu.

Select the "LNB SETUP" line and press **GO**.

Register the LNB setup in the order that corresponds to the manner in which the specific LNBs are connected to the LNB switch. It is possible to select 4 LNBs in a setup. After having stored this setup the TV returns to the "SAT TUNING" menu. In the "SAT TUNING" menu press **STOP STOP GO** within 3 seconds, now the "CUSTOM LNB SETUP" menu appears.

Select a LNB number.

The table shows the options for setup of the LNBs:

LNB-SELECT	DiSEqC	SWITCH	TONE	DC	NONE
OPTION	.....	14V/18V/14V-T/ 18V-T	ON/OFF	14V/18V	.....
LNB BANDS	DUAL/SINGLE	DUAL/SINGLE	DUAL/SINGLE	DUAL/SINGLE	DUAL/SINGLE
BAND SELECT	TONE/DC/DiSEqC	DiSEqC	DC /DiSEqC	TONE /DiSEqC	TONE/DC/DiSEqC
FREQUENCY (Dual)	.....	.....	.....	.....	
FREQUENCY- HIGH	10.600/10.750	10.600/10.750	10.600/10.750	10.600/10.750	10.600/10.750
FREQUENCY- LOW	9.750/10.000/ 10.050	9.750/10.000/ 10.050	9.750/10.000/ 10.050	9.750/10.000/ 10.050	9.750/10.000/ 10.050
POLARITY	TONE/DC/DiSEqC	DiSEqC	DC /DiSEqC	TONE /DiSEqC	TONE/DC/DiSEqC

If LNB BANDS is set to SINGLE, BAND SELECT and FREQUENCY-HIGH cannot be entered.

## THEFT PROTECTION

The theft protection is a 4 digit PIN-code, of the user's own choice, which must be entered if the TV has been disconnected from the mains for 15-30 min.

The theft protection is always deactivated from the factory, it is up to the user to activate it.

If the theft protection is activated, and the TV has been without mains for 15-30 min., the user will be asked to enter the 4 digit PIN-code when the TV is switched on.

Before the TV is handed in to service it is a good idea to ask the customer to deactivate the theft protection.

### Service code

If the PIN-code is activated and the product is in a service situation, there is a possibility of 12 hours service by entering a 5 digit Service code which is 1 1 1 1 1. This gives 12 hours of full functionality to service the product and make module changes without naming/registering the replaced modules to the customer's product. The 12 hours are only running when the product is connected to the mains!

If the customer's PIN-code or Master-code is entered the replaced modules will be named/registered to the product. Registration of the modules cannot be changed. The Service code can be entered when the TV has been disconnected from the mains for 15-30 min.

When the TV is switched on a PINCODE menu appears. Now press ◀ (rewind) for three seconds and a MASTERCODE menu appears, and the Service code 1 1 1 1 1 can be entered, then press GO.

### Replacing the Main microcomputer PCB6

When replacing the electrical chassis including PCB6 remember to move the EEPROM 6IC6 from the defective PCB6 to the new PCB6, because it contains valuable data (Serial no., PIN-code etc.).

The data is not transferred to the new module until you have been in contact with the theft protection or after 12 hours of connection to the mains. This means that you can try out a new PCB6 without transferring the products serial no. Etc.

#### Note !

If you have tried out a new PCB6 and the serial no. has been transferred to the new PCB6 and it says that the old PCB6 is not defective, the new PCB6 can only be used for this specific product, it must be returned to Bang & Olufsen to be erased again. If the product functions are OK the theft protection is also OK. There is no need for testing the functionality of the theft protection.

### Replacing of both PCB6 and EEPROM 6IC6

If both PCB6 and the EEPROM 6IC6 need to be replaced it is necessary to have them pre-programmed from Bang & Olufsen with the correct serial no., otherwise they will not work.

Please contact Bang & Olufsen.

### Activate the PIN code system

Select the TV SETUP menu.

Press ◀ twice and then STOP to bring up the PINCODE SETUP menu.

Enter the 4 digit Pin-code (Beo4) or use ▲ or ▼ (Beo1).

Press GO after the last digit is entered. Re-enter the code to confirm it and press GO.

If you want to change or delete the PIN-code, enter the correct PIN-code and press GO. It is now possible to change the PIN-code or delete the PIN-code.

**Enter the PIN code**

If the PIN-code system is activated and the TV is disconnected from the mains for more than 15-30 minutes, a PINCODE menu appears as soon as the TV is switched on.

Enter the PIN-code digits, and press **GO** when the last digit is entered, then the TV starts again.

**If the PIN code has been forgotten**

If the PIN-code has been forgotten (5 tries within 3 hours with the mains connected), the only way to unlock the TV again is by entering a 5 digit Master-code.

The Master-code is ordered by sending a request either via the Retail System or on the Master-code formula. If none of these options are available please contact Bang & Olufsen.

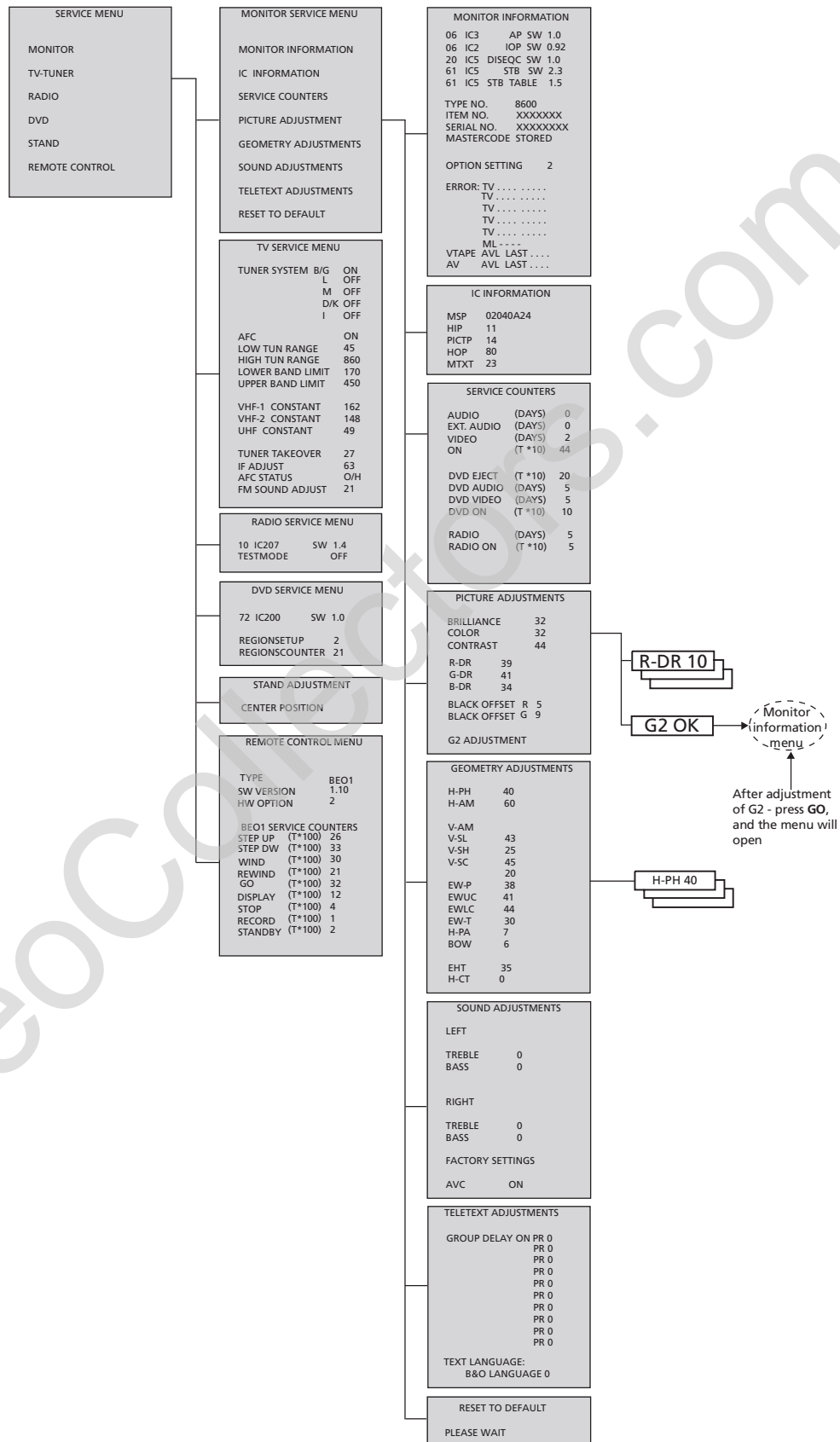
When the TV prompts for a PIN-code, press and hold **◀** down to bring up the MASTERCODE menu.

Enter the Master-code and press **GO**. This will deactivate the PIN-code and reactivate the TV.

BeoCollectors.com

**EINSTELLUNGEN**

Die meisten Einstellungen werden im Service-Modus vorgenommen. Hier sehen Sie eine Übersicht über die Menüs des Service-Modus.



## Service-Modus aktivieren

Ein SETUP Menü wählen.

Beo1: **STOP STOP GO** innerhalb von 3 Sekunden drücken.

Beo4: **0 0 GO** innerhalb von 3 Sekunden drücken.

Wählen Sie eine gewöhnliche Menüoperation aus, um den Service-Modus zu verlassen.

Betrieb im Service-Modus:

Beo1	Beo4	Wirkung
DISPLAY	EXIT	entfernt die Menüs
GO	GO	- wählt das Untermenü zur Menüzeile, auf der sich der Cursor befindet - speichert die ausgewählten Werte und ruft das SERVICE MENU wieder auf - löscht Fehlercodes im Menü MONITOR INFORMATION und ruft das SERVICE MENU wieder auf
▲	▲	verschiebt den Cursor nach oben und führt zum vorherigen Menü zurück
▼	▼	verschiebt den Cursor nach unten und wählt in besonderen Fällen ein Untermenü aus
◀▶	◀▶	wählt neue Werte in den Menüs aus

Allgemeine Informationen finden Sie im Abschnitt „Kurze Bedienungsanleitung“.

## EINSTELLUNGEN

*Achtung!*

*Wenn das Chassis mit dem AV-Signalprozessor PCB1, dem Videoausgang PCB3, der Stromversorgungs- und Ablenkeinrichtung PCB4 und dem Haupt-Mikrocomputer PCB6 ersetzt wird, muß das alte EEPROM 61C6 auf das neue PCB6 übernommen werden, damit kein Datenverlust entsteht.*

*An der unteren linken Ecke des AV-Signalprozessors PCB1 befindet sich ein kleines Etikett mit den Einstellwerten für TUNER TAKEOVER, IF ADJUST und FM SOUND ADJUST. Diese Werte müssen in den alten EEPROM eingetragen werden.*

*Wenn der PCB6 ersetzt wird, müssen der alte EEPROM 61C6 ebenfalls am neuen PCB6 montiert werden.*

### Halterung

Diese Einstellung muß vorgenommen werden, wenn die Steuerung PCB80 für die motorgetriebene Halterung in das Fernsehgerät eingebaut oder wenn der den PCB6 mit dem EEPROM 61C6 enthaltende Teil das Chassis ausgetauscht wurde:

- Rufen Sie den Service-Modus auf, und wählen Sie die Zeile STAND aus.
- Drücken Sie auf GO. Wenn CALIBRATION OK angezeigt wird, wurde die Mittelstellung der motorgetriebenen Halterung ermittelt.

Für die folgenden Einstellungen sollte ein Standard-Testbild im Format 4:3 (z. B. Philips) verwendet werden.

### Schärfe

- Stellen Sie mit Hilfe von 4R485 (FOCUS) die optimale Bildschärfe der vertikalen Zeilen in ca. 10cm (4 Zoll) Abstand zur Bildschirmkante ein.

## Bildeinstellungen

- Bildeinstellungen sollten nur im Format 1 (4:3) vorgenommen werden.
- Rufen Sie den Service-Modus auf, und wählen Sie die Zeile MONITOR aus.
  - Wählen Sie die Zeile PICTURE ADJUSTMENTS aus.
  - Nehmen Sie die Farben aus dem Bild (COLOR = 0).
  - Stellen Sie R-DR, G-DR und B-DR ein, um den Weißton zu korrigieren.
  - Stellen Sie BLACK OFFSET R und BLACK OFFSET G ein, um den Grauton zu korrigieren.
  - Wählen Sie die Zeile G2 ADJUSTMENT aus. Der Bildschirm erscheint nun schwarz, und in der kleinen Anzeige oben im Bild wird G2 HIGH, G2 OK oder G2 LOW angezeigt. Stellen Sie 4R485 (G2) so ein, daß in der Anzeige G2 OK erscheint.
  - Drücken Sie auf ▲. In der Anzeige erscheint BL-G X. Drücken Sie dann auf GO.
  - Wählen Sie die Zeile COLOR aus, und stellen Sie den Wert auf den gleichen Wert wie vor der Justierung ein. Drücken Sie anschließend auf GO.

## Geometrieinstellungen

Geometrieinstellungen müssen sowohl in Format 1 (4:3) als auch in Format 2 (16:9) ausgeführt werden.

Für einige der Einstellungen existieren Festwerte. Diese Werte sollten nicht geändert werden.

Vertical Slope (V-SL)	Muß stets auf 25 eingestellt sein.
Vertical S-Correction (V-SC)	Muß stets auf 20 eingestellt sein.
Horizontal sensitivity (EHT)	Muß stets auf 38 eingestellt sein.

Die Einstellungen müssen zuerst für Format 1 (4:3) vorgenommen werden.

- Rufen Sie den Service-Modus auf, und wählen Sie die Zeile MONITOR aus.
- Wählen Sie die Zeile PICTURE ADJUSTMENTS aus.
- Wählen Sie die Zeile BRILLIANCE aus, und stellen Sie den Höchstwert (62) ein. Drücken Sie anschließend auf GO.
- Wählen Sie die Zeile GEOMETRY ADJUSTMENTS aus.
- Wählen Sie die Zeile BOW (Horizontal BOW) aus, und setzen Sie den Wert auf 8.
- Wählen Sie die Zeile H-AM (Horizontal AMplitude) aus, und stellen Sie den Wert so lange ein, bis an beiden Seiten des Bildes die horizontale Austastlücke sichtbar ist. Wählen Sie die Zeile H-CT (Horizontal CenTering) aus und stellen Sie diejenige der drei Positionen ein, in der die beste Zentrierung des Bildes erreicht wird. Wählen Sie die Zeile H-AM aus, und stellen Sie die korrekte Bildbreite ein. Drücken Sie anschließend auf GO und ▲, um die Zeile PICTURE ADJUSTMENTS auszuwählen.
- Wählen Sie die Zeile BRILLIANCE aus, und stellen Sie den Wert auf den gleichen Wert wie vor der Justierung ein. Drücken Sie anschließend auf GO.
- Wählen Sie die Zeile GEOMETRY ADJUSTMENTS aus.

### Horizontal Phase (H-PH)

- Stellen Sie H-PH (Horizontal Phase) ein, um das Bild horizontal korrekt zu zentrieren.

### Horizontal Amplitude (H-AM)

- Stellen Sie H-AM (Horizontal Amplitude) ein, bis die korrekte Bildbreite erreicht ist.

### Vertical Amplitude (V-AM)

- Stellen Sie V-AM (Vertical Amplitude) so ein, daß das Bild am oberen und unteren Bildschirmrand ausgerichtet ist.

**Vertical SHift/centering (V-SH)**

- Stellen Sie V-SH (Vertical SHift/centering ) so ein, daß Bildmitte und Bildschirmmitte übereinstimmen.

**East/West Parabola (EW-P)**

- Justieren Sie EW-P (East/West Parabola), um die korrekte Geometrie an den seitlichen Bildrändern einzustellen. Der mittlere Teil der Vertikallinien muß so weit wie möglich eine Gerade bilden.

**East/West Upper Corner (EWUC)**

- Justieren Sie EWUC (East/West Upper Corner), um die korrekte Geometrie an den oberen Bildecken einzustellen.

**East/West Lower Corner (EWLC)**

- Justieren Sie EWLC (East/West Lower Corner), um die korrekte Geometrie an den unteren Bildecken einzustellen.

**East/West Trapezium (EW-T)**

- Stellen Sie EW-T (East/West Trapezium) auf die richtige Geometrie ein.

**Horizontal PARallelogram (H-PA)**

- Stellen Sie H-PA (Horizontal PARallelogram) auf die richtige Geometrie ein.

**Horizontal BOW (BOW)**

- Justieren Sie BOW (Horizontal BOW), bis die Vertikallinien an den beiden Bildseiten gerade verlaufen.

Gegebenenfalls müssen Sie einige Einstellungen wiederholen.

- Drücken Sie auf **GO**, um die Einstellungen zu speichern.

Beenden Sie den Service-Modus.

**Geometrieinstellungen im Format 2 (16:9)**

Es müssen nur die hier aufgeführten Einstellungen vorgenommen werden.

- Wählen Sie das Menü TV SETUP aus.
- Wählen Sie im Menü TV SETUP die Zeile PICTURE FORMAT aus.
- Rufen Sie den Service-Modus auf, und wählen Sie die Zeile MONITOR aus.
- Wählen Sie die Zeile GEOMETRY ADJUSTMENTS aus.

Beim Auswählen eines Einstellelements muß sich das Bildformat in 16:9 ändern.

**Horizontal Amplitude (H-AM)**

- Stellen Sie H-AM (Horizontal Amplitude) ein, bis die korrekte Bildbreite erreicht ist.

**Vertical Amplitude (V-AM)**

- Justieren Sie V-AM (Vertical Amplitude), so daß das Bild am oberen und unteren Bildschirmrand ausgerichtet ist. Es müssen ca. 10 cm Rand verbleiben, gemessen vom unteren Teil des Kreises bis zum unteren Teil des sichtbaren Bildes.

**Vertical SHift/centering (V-SH)**

- Justieren Sie V-SH (Vertical SHift/centering), bis sich ein Rand von ca. 8 mm vom oberen Teil des Kreises bis zum oberen Teil des sichtbaren Bildes zeigt.

**East/West Parabola (EW-P)**

- Justieren Sie EW-P (East/West Parabola), um die korrekte Geometrie an den seitlichen Bildrändern einzustellen. Der mittlere Teil der Vertikallinien muß so weit wie möglich eine Gerade bilden.

**East/West Upper Corner (EWUC)**

- Justieren Sie EWUC (East/West Upper Corner), um die korrekte Geometrie an den oberen Bildecken einzustellen.

**East/West Trapez (EW-T)**

- Stellen Sie EW-T (East/West Trapez) auf die richtige Geometrie ein.

**Horizontal PARallelogram (H-PA)**

- Stellen Sie H-PA (Horizontal PARallelogram) auf die richtige Geometrie ein.

Gegebenenfalls müssen Sie einige Einstellungen wiederholen.

- Drücken Sie auf **GO**, um die Einstellungen zu speichern.

Beenden Sie den Service-Modus.



## SERVICE-MODUS

Der Service-Modus besteht aus zwei Teilen, dem Servicemenü und dem Modus "Ignorieren". Auf Seite 5-14 finden Sie eine Übersicht über die Menüs des Service-Modus und die Bedienung im Service-Modus.

### SERVICE MENU

Die Zeile STAND wird nur angezeigt, wenn das Fernsehgerät mit einer motorgetriebenen Halterung ausgerüstet ist. Die Funktion ist im Abschnitt über die Einstellungen beschrieben.

### MONITOR SERVICE MENU

Die Zeilen PICTURE ADJUSTMENTS und GEOMETRY ADJUSTMENTS werden im Abschnitt über die Einstellungen beschrieben.

### MONITOR INFORMATION

- Software-Versionsnummern  
Die Zeile "20 IC5 DiSEqC SW 1.0" wird nur angezeigt, wenn das Gerät einen eingebauten Satellitenempfänger hat.  
Die Zeile "61 IC5 STB SW 1.0" wird nur angezeigt, wenn das Gerät einen eingebauten Set-Top-Box Controller hat.  
Die Zeile "61 IC5 STB TABLE 1.0" zeigt die Version der Konvertierung von Set-Top-Box Fernbedienungs-codes in Beo1 und Beo4 Codes.
- Typ, Artikel und Seriennummern
- Diebstahlschutz-Status. Zeigt, ob der Mastercode richtig eingegeben ist (STORED/ NOT STORED)
- Optionsprogrammierung
- Letzte fünf TV-Fehler
- Letzter ML-Fehler
- Letzter AVL-Fehler von den V.TAPE- und AV-Buchsen

### OPTION SETTING

Option 0 = Der IR-Empfänger des TV-Geräts ist nicht angeschlossen.

Option 1 = Zwei IR-Empfänger im selben Raum.

Option 2 = Ein IR-Empfänger im selben Raum.

Die Optionsprogrammierung kann nur mit einer Beo4 Fernbedienung erfolgen.

Nachdem ein Fehler, der die Anzeige eines Fehlercodes ausgelöst hat, behoben wurde, muß der Fehlercode gelöscht werden. Dies erfolgt durch Drücken von **GO** im Menü MONITOR INFORMATION.

### IC INFORMATION

Zeigt die Versionsnummern der aufgeführten ICs an:  
MSP = 1IC550 (MSP3410D), HIP = 1IC100 (TDA9321H),  
PICTP = 1IC300 (TDA9178), HOP = 1IC350 (TDA9330H),  
MTXT = 1IC500 (SDA5275-2).

### SERVICE COUNTERS

AUDIO = Audiomodus, die EHT-Spannung ist ausgeschaltet.

EXT.AUDIO = erweiterter Audiomodus, die EHT-Spannung ist ausgeschaltet, es liegt aber an allen anderen TV-Schaltungen Versorgungsspannung an.

VIDEO = Audio/Videomodus.

ON (T\*10) = zeigt, wie oft das Gerät aus dem Standby eingeschaltet wurde.

DVD EJECT (T\*10) = Ausfahren der DVD-Schublade.

DVD AUDIO = Wiedergabe von CDA/DVD-Audio.

DVD VIDEO = Wiedergabe von CDV/DVD-Video.

DVD ON (T\*10) = zeigt, wie oft der DVD-Spieler eingeschaltet wurde.

RADIO = Radioempfang.

RADIO ON (T\*10) = zeigt, wie oft das Radio eingeschaltet wurde.

(T\*10) = Die Zahlen geben Zehnerintervalle an (z.B. 10 = 100). Die Zahl wird als voller Zehnerwert angegeben.

Die Werte werden im EEPROM gespeichert. Bei falschem Lesen der Werte im EEPROM werden alle Servicezähler-Werte auf 0 zurückgesetzt.

#### SOUND ADJUSTMENTS

Die Lautstärkeeinstellung ist nur nach dem Austausch eines Lautsprechers erforderlich.

Ein Wert von 9 entspricht einer Dämpfung von 0 dB, ein Wert von 0 entspricht einer Dämpfung von 9 dB.

Nach Austausch des linken Hochton-Lautsprechers:

Cursor auf LEFT TREBLE setzen, die Tonwiedergabe wechselt nun zwischen den linken und rechten Lautsprechern.

Einstellung mit ◀ und ▶ vornehmen, bis der Schalldruck auf beiden Kanälen gleich ist.

**GO** zum Speichern drücken.

Gelingt die Einstellung nicht, so ist der Cursor auf die Zeile FACTORY SETTINGS zu setzen. Die Werte werden dann auf die Werkseinstellungen eingestellt.

Neueinstellung anschließend wiederholen.

AVC = Automatische Lautstärkeregelung, kann bei Messungen an den Audio-Schaltungen auf OFF gestellt werden. Die AVC wird auf ON gesetzt, wenn das TV-Gerät mit dem Netzschalter ausgeschaltet worden ist.

#### TELETEXT ADJUSTMENTS

##### GROUP DELAY ON

Gruppenlaufzeitfehler in bestimmten Kabelsystemen können den Empfang von Teletext stören. Dies kann durch Anschluss eines Filters in Serie mit dem CVBS-Signal für den Teletext-Decoder verhindert werden.

PR sind Programmnummern. Wenn alle Programmnummern 0 sind, ist kein Filter mit einer der Programmnummern verbunden.

Wenn ein Filter mit einer Programmnummer verbunden werden soll, eine PR-Zeile durch Drücken von ▲ bzw. ▼ wählen, dann ◀ bzw. ▶ drücken, um die gewünschte Programmnummer zu wählen, anschließend **GO** drücken.

Nach Wahl von "B&O LANGUAGE" kann unter sechs verschiedenen Teletext-Zeichensätzen gewählt werden.

0 Englisch, Deutsch, Schwedisch, Italienisch, Französisch, Portugiesisch, Slowakisch

1 Polnisch, Deutsch, Schwedisch, Italienisch, Französisch, Kroatisch, Slowakisch, Rumänisch

2 Englisch, Deutsch, Schwedisch, Italienisch, Französisch, Portugiesisch, Türkisch

3 Englisch, Russisch, Estnisch, Tschechisch, Deutsch, Litauisch, Ukrainisch

4 Englisch, Deutsch, Schwedisch, Italienisch, Französisch, Portugiesisch, Türkisch, Griechisch

5 Englisch, Arabisch, Französisch

6 Englisch, Hebräisch, Arabisch

Bei Wahl der Sprachen 3 bis 6 können keine Zeichen der Teletextebene 2.5 d/r/c/s empfangen werden.

Bei Wahl der Sprachen 3 bis 6 ist es nicht möglich, im Teletextmodus Animationen in der Programmliste vorzunehmen.

## RESET TO DEFAULT

Bei Wahl dieser Zeile werden die Einstellungen definiert.

- Alle TV-, Satelliten- und Radioprogramme werden gelöscht.
- Die V.TAPE- und AV-Buchsen werden deaktiviert (NONE).
- Im Servicemenü PICTURE ADJUSTMENT werden die Werte für Brillanz, Farbe und Kontrast auf die Voreinstellungen gesetzt.
- Alle Programmlisten werden gelöscht.
- Beim ersten Einschalten des TV-Geräts (ohne SAT-Empfänger) wird das TV SETUP TUNE Menü angezeigt.
- OPTION wird auf 2 eingestellt.
- Die Einstellung des Diebstahlschutzes wird nicht geändert.

Bei Wahl von RESET TO DEFAULT wird der Text PLEASE WAIT angezeigt. Bei Anzeige dieses Texts darf das Gerät nicht bedient werden. Wenn der Text verschwindet, wird der Servicemodus verlassen.

## SERVICE MENU

## TV SERVICE MENU

In TUNER SYSTEM ist es möglich, nur relevante Tunersysteme auf ON zu setzen (nur Multi-Standard-Fernsehgeräte). Dies erfolgt, um die Tuningzeit abzukürzen. AFC ON/OFF wird in Verbindung mit Einstellungen verwendet, kann aber auch in anderen Situationen hilfreich sein.

Wenn das Fernsehgerät mittels Netzschalter ausgeschaltet wurde, wird die AFC auf ON geschaltet.

LOW TUN RANGE	45
HIGH TUN RANGE	860
LOWER BAND LIMIT	170
UPPER BAND LIMIT	450

VHF-1 CONSTANT	162
VHF-2 CONSTANT	148
UHF CONSTANT	49

Diese Elemente werden vom Hersteller benötigt.

TUNER TAKEOVER	27
IF ADJUST	63
AFC STATUS	I/L
FM SOUND ADJUST	14

Die Elemente werden im Abschnitt über die Einstellungen beschrieben.

## RADIO SERVICE MENU

- Radio-Software-Versionsnummer.
- Bei aktiviertem TESTMODUS:
- stoppt die Aktualisierungsroutine,
  - wird das FM-Bandbreitenfilter auf breit eingestellt,
  - wird die Ansprechempfindlichkeit des Sendersuchlaufs auf "First Stop" eingestellt, d.h. der Suchlauf hält bei schwächeren Radiosendern als im Normalbetrieb an,
  - wird die 20 dB-Dämpfung für starke Radiosender deaktiviert.

## DVD SERVICE MENU

- PCB72 Software-Versionsnummer.

## REGIONSETUP:

Regionscodes (1 - 11); wenn der Regionscode in diesem Menü nicht geändert wurde, wird ein - (Minuszeichen) angezeigt. Die DVD-Schublade muss geschlossen und keine DVD eingelegt sein, wenn die Regionseinstellung durchgeführt wird.

## REGIONSCOUNTER:

Diese Zeile zeigt an, wie oft der Regionscode geändert wurde.

Zusammenhang zwischen den Primär/Sekundär-Farbfernsehsystemen und Regionscodes:

	Region 1	Region 2	Region 3	Region 4	Region 5	Region 6
NTSC/PAL	1	7	8	9		
PAL/NTSC		2	3	4	5	6
NTSC/PAL N				10		
PAL M/PAL				11		

**WICHTIGER HINWEIS!**

Die Anzahl der Regionseinstellungen ist begrenzt. Bei Überschreitung der Maximalzahl funktioniert der DVD-Spieler nicht mehr!

Regionscode entsprechend Typnummer.

Typnr.	Regionscode
8500	2
8502	3
8503	2
8505	4
8506	2
8508	2

## PCB71 Software-Versionsnummer:

- Servicemodus verlassen.
- Eine DVD laden und abspielen.
- **DISPLAY** ([GRÜN] Beo4) drücken, bis das OSD-Menü angezeigt wird.
- **◀** drücken, um zur linken Menüseite zu gelangen.
- **▼** drücken, um zum unteren Menürand zu gelangen.
- **▶▼▼▼** drücken, um die Software-Versionsnummer anzuzeigen.

## REMOTE CONTROL MENU

Beo1 Testmodus aktivieren:

- Das REMOTE CONTROL Menü muss angezeigt werden.
- Beo1 nicht auf das TV-Gerät richten, damit das TV-Gerät keine IR-Codes empfängt.
- **DISPLAY** Taste drücken und halten.
- **STANDBY** Taste drücken und halten, dann **STOP** Taste drücken, um den Testmodus zu aktivieren.

## SW VERSION

**STOP** und **▼** gleichzeitig drücken. Nach Loslassen der Tasten wird die Softwareversion angezeigt.

HW OPTION ist für werksinternen Gebrauch bestimmt.

Zum Verlassen des Testmodus die **DISPLAY** Taste drücken.

Die BEO1 SERVICE COUNTERS zählen die Anzahl der Tastenbetätigungen auf der Beo1. Ununterbrochene Tastenbetätigungen werden nicht registriert.

Für die **VOLUME** Taste ist kein Zähler vorhanden, da die Beo1 den Unterschied zwischen einer Einfach- und Dauerbetätigung dieser Taste nicht erkennen kann.

#### AUTO DEMONSTRATION

Das TV-Gerät muss sich im Standbybetrieb befinden.

**LIST** auf der Beo4 drücken, bis **SP.DEMO** angezeigt wird, dann **GO** drücken.

- Das TV-Gerät wird auf Option 0 eingestellt.
- Die DVD-Schublade fährt aus.
- Die V.TAPE-Buchse muss als Eingang benutzt und auf V.AUX eingestellt werden.
- Es erfolgt keine Tonwiedergabe.
- Das Display zeigt "DVD" an.

Um die Funktion zu deaktivieren, **LIST** auf der Beo 4 drücken, bis **SP.DEMO** angezeigt wird, dann **GO** drücken. Die DVD-Schublade fährt ein, Option wird auf 2 eingestellt, und das TV-Gerät wird in den Standbybetrieb geschaltet.

### Modus Bus-Ignorieren

Wenn im IIC-Bussystem ein Fehler auftritt, durch den das Fernsehgerät bei jedem Einschaltversuch in den Standby-Modus versetzt wird, kann das Fernsehgerät auf eine solche Weise eingeschaltet werden, daß der Fehler ignoriert wird.

- Das Fernsehgerät muß sich im Standby befinden.
- Schließen Sie die beiden Lötstellen (mit J40 gekennzeichnet, Koordinate 11A auf PCB1) kurz.
- Drücken Sie an der Beo1 auf **GO**, an der Beo4 auf **TV**. Das Fernsehgerät startet nun, wenn möglich, im Modus Bus-Ignorieren mit dem Service-Menü.

*ACHTUNG! Durch das Starten des Fernsehgeräts im Ignorieren-Modus können weitere Schäden am Gerät entstehen.*

- Verlassen Sie den Ignorieren-Modus. Schalten Sie das Fernsehgerät aus.

**KUNDENSPEZIFISCHE SATELLITENANLAGE**

Diese Anleitung für das Einrichten muß nur dann verwendet werden, wenn der Kunde über eine spezielle Satellitenanlage mit nicht-universalen Satellitenantennen verfügt.

Informationen zur Bedienung im Normalfall finden Sie in der kurzen Bedienungsanleitung.

Wählen Sie das Menü „SAT TUNING“ aus.

Wählen Sie die Zeile „LNB SETUP“ aus, und drücken Sie auf **GO**.

Registrieren Sie Ihre Antennenanlage in der Reihenfolge, in welcher die einzelnen Satellitenantennen am Antennenumschalter angeschlossen sind. In einer Einstellung können 4 Antennen aktiviert werden. Nach dem Speichern dieser Einstellung kehrt das Fernsehgerät zum Menü „SAT TUNING“ zurück.

Drücken Sie im Menü „SAT TUNING“ innerhalb von drei Sekunden auf **STOP STOP GO**. Nun wird das Menü „CUSTOM LNB SETUP“ angezeigt.

Wählen Sie eine Satellitenantennennummer aus.

In der Tabelle sind die Optionen für das Einstellen der Satellitenantennen aufgeführt:

LNB-SELECT	DiSEqC	SWITCH	TONE	DC	NONE
OPTION	.....	14V/18V/14V-T/ 18V-T	ON/OFF	14V/18V	.....
LNB BANDS	DUAL/SINGLE	DUAL/SINGLE	DUAL/SINGLE	DUAL/SINGLE	DUAL/SINGLE
BAND SELECT	TONE/DC/DiSEqC	DiSEqC	DC /DiSEqC	TONE /DiSEqC	TONE/DC/DiSEqC
FREQUENCY (Dual)	.....	.....	.....	.....	
FREQUENCY- HIGH	10.600/10.750	10.600/10.750	10.600/10.750	10.600/10.750	10.600/10.750
FREQUENCY- LOW	9.750/10.000/ 10.050	9.750/10.000/ 10.050	9.750/10.000/ 10.050	9.750/10.000/ 10.050	9.750/10.000/ 10.050
POLARITY	TONE/DC/DiSEqC	DiSEqC	DC /DiSEqC	TONE /DiSEqC	TONE/DC/DiSEqC

Wenn LNB BANDS auf SINGLE eingestellt wird, können BAND SELECT und FREQUENCY-HIGH nicht eingegeben werden.

## DIEBSTAHLSCHUTZ

Der Diebstahlschutz ist ein vierstelliger, individuell wählbarer PIN-Code, der nach Netztrennung des TV-Geräts für 15 – 30 Minuten eingegeben werden muss.

Der Diebstahlschutz ist werksseitig immer deaktiviert und kann bei Bedarf vom Benutzer aktiviert werden.

Wenn der Diebstahlschutz aktiviert ist und das TV-Gerät 15 – 30 Minuten vom Netz getrennt wird, wird der Benutzer beim Einschalten des Geräts zur Eingabe des vierstelligen Codes aufgefordert.

Es empfiehlt sich, den Kunden zu bitten, den Diebstahlschutz vor Ablieferung des Geräts zum Service zu deaktivieren.

### Servicecode

Wenn der PIN-Code aktiviert ist und sich das Gerät beim Service befindet, besteht die Möglichkeit, den Service für 12 Stunden durchzuführen, wenn der fünfstellige Servicecode 1 1 1 1 1 eingegeben wird.

Der Servicecode aktiviert für 12 Stunden die volle Funktionalität des Geräts, um den Service durchzuführen und Moduländerungen ohne Registrierung der ausgetauschten Module für das Kundengerät vorzunehmen. Die Frist von 12 Stunden beginnt erst, wenn das Gerät an das Netz angeschlossen wird.

Wenn der PIN-Code des Kunden bzw. der Mastercode eingegeben wird, werden die ausgetauschten Module für das Gerät registriert.

Die Registrierung von Modulen kann nicht rückgängig gemacht werden.

Der Servicecode kann eingegeben werden, nachdem das Gerät für 15 – 30 Minuten vom Netz getrennt wurde.

Wenn das Gerät dann eingeschaltet wird, erscheint ein PINCODE-Menü. Nun für drei Sekunden ◀ (Rewind) drücken, worauf ein MASTERCODE-Menü erscheint.

Hier kann der Servicecode 1 1 1 1 1 eingegeben werden. Anschließend GO drücken.

### Austausch der Mikrocomputer-Hauptplatine PCB6

Beim Austausch des elektrischen Chassis einschließlich PCB6 darauf achten, das EEPROM 6IC6 von der defekten PCB6 in die neue PCB6 zu stecken, da es wichtige Daten enthält (Seriennummer, PIN-Code usw.).

Die Daten werden erst dann zum neuen Modul übertragen, wenn der Diebstahlschutz aktiviert wurde, bzw. 12 Stunden nach Netzanschluss. Eine neue PCB6 kann somit ausprobiert werden, ohne die Seriennummer des Geräts usw. zu übertragen.

#### Hinweis!

Wenn eine neue PCB6 ausprobiert wurde, hierbei die Seriennummer in das neue Modul übertragen wurde und sich herausstellt, dass die alte PCB6 nicht defekt ist, kann die neue PCB6 nur noch für dieses spezifische Gerät benutzt werden. Das Modul muss dann zum Löschen des EEPROM an Bang & Olufsen zurück geschickt werden.

Wenn die Gerätefunktionen einwandfrei sind, funktioniert auch der Diebstahlschutz. In diesem Fall muss die Funktion des Diebstahlschutzes nicht getestet werden.

### Austausch von PCB6 und von EEPROM 6IC6

Wenn sowohl PCB6 als auch EEPROM 6IC6 ausgetauscht werden müssen, müssen diese Bauteile von Bang & Olufsen mit der richtigen Seriennummer usw. vorprogrammiert werden, da sie ansonsten nicht funktionieren.

Bitte Kontakt mit Bang & Olufsen aufnehmen.

#### Aktivierung des PIN-Code-Systems

TV SETUP Menü wählen.

◀ zweimal und dann **STOP** drücken, um das PINCODE SETUP Menü zu öffnen.

Vierstelligen PIN-Code (Beo4) eingeben oder ▲ bzw. ▼ (Beo1) verwenden.

**GO** nach Eingabe der letzten Ziffer drücken. Code zur Bestätigung nochmals eingeben und **GO** drücken.

Zum Ändern bzw. Löschen des PIN-Codes den richtigen PIN-Code eingeben und **GO** drücken.

Der PIN-Code kann nun geändert bzw. gelöscht werden.

#### Eingabe des PIN-Codes

Wenn der PIN-Code aktiviert ist und das TV-Gerät länger als 15 - 30 Minuten vom Netz getrennt wird, erscheint beim Einschalten des Geräts ein PINCODE Menü. Alle Ziffern des PIN-Codes eingeben und anschließend **GO** drücken. Das Gerät schaltet nun wieder ein.

#### Wenn der PIN-Code vergessen wurde

Wenn der PIN-Code vergessen wurde (fünf Versuche innerhalb von drei Stunden bei Netzanschluss), kann das TV-Gerät nur durch Eingabe eines fünfstelligen Mastercodes entsperrt werden.

Der Mastercode wird entweder über das Händlersystem bzw. mit einem Mastercode-Formular bestellt. Wenn keine dieser Möglichkeiten offensteht, wenden Sie sich bitte an Bang & Olufsen.

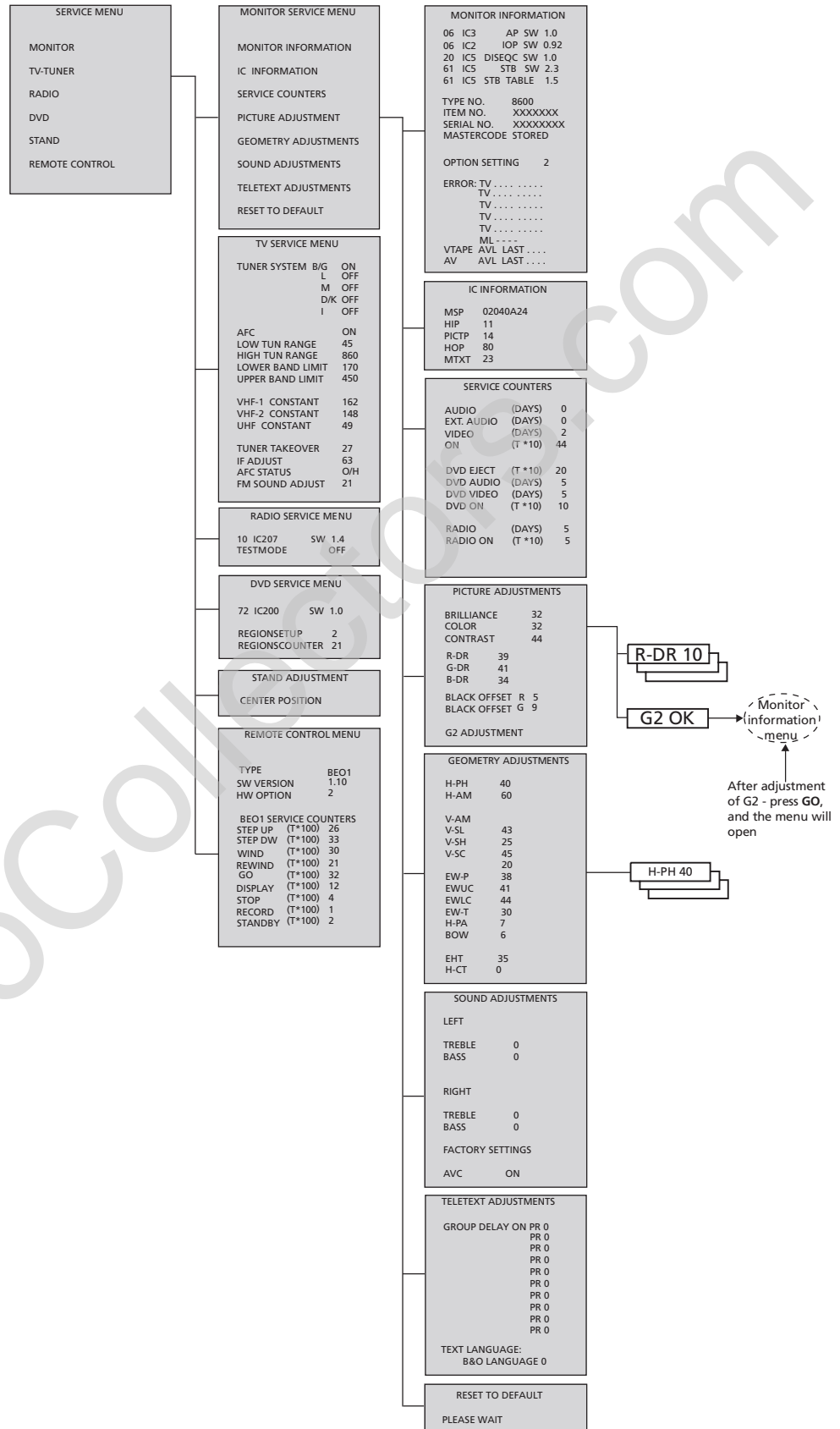
Wenn das Gerät zur Eingabe des PIN-Codes auffordert, ▶ drücken und halten, um das MASTERCODE Menü zu öffnen.

Mastercode eingeben und **GO** drücken. Hierdurch wird der PIN-Code deaktiviert und das Gerät entsperrt.



RÉGLAGES

La plupart des réglages sont effectués en mode Entretien. Vous trouverez ci-dessous un aperçu des menus du mode Entretien.



## Accès au Mode Service

Sélectionner un menu SETUP.

Beo1 : Appuyer **STOP STOP GO** en moins de 3 secondes.

Beo4 : Appuyer **0 0 GO** en moins de 3 secondes.

Sélectionnez le menu des fonctions ordinaires pour quitter le mode Entretien.

Fonctionnement en mode Entretien.

Beo1	Beo4	Activité
DISPLAY	EXIT	Supprime les menus
<b>GO</b>	<b>GO</b>	- Sélectionne le sous-menu dans la ligne de menu où se trouve le curseur - Enregistre les valeurs sélectionnées et retourne au SERVICE MENU - Efface les codes d'erreur dans le menu MONITOR INFORMATION et retourne au SERVICE MENU
▲	▲	Déplace le curseur vers le haut et retourne au menu précédent
▼	▼	Déplace le curseur vers le bas et sélectionne un sous-menu dans certaines circonstances
◀▶	◀▶	Sélectionne de nouvelles valeurs dans les menus

Reportez-vous au Guide résumé des opérations pour des informations générales de fonctionnement.

## RÉGLAGES

*Important !*

*Pour procéder au remplacement du châssis électrique, y compris PCB1 - traitement du signal AV, PCB3 - sortie vidéo, PCB4 - alimentation électrique et déviation, et PCB6 - micro-ordinateur principal, les anciennes mémoires EEPROM 61C6 doivent être transférées sur le nouveau PCB6 afin d'éviter des pertes de données.*

*Dans le coin inférieur gauche du PCB1, traitement du signal AV, une petite étiquette indique les valeurs de réglage pour TUNER TAKEOVER, IF ADJUST et FM SOUND ADJUST. Ces valeurs doivent être écrites dans l'ancienne mémoire EEPROM.*

*Lors du remplacement du PCB6, les anciennes mémoires EEPROM 61C6 doivent aussi être transférées vers le nouveau PCB6.*

## Support

À régler au moment de l'installation de la boîte d'engrenages et de la commande du moteur de support PCB80 sur le téléviseur, ou lors du remplacement d'une partie du châssis électrique comportant le PCB6 et la mémoire EEPROM 61C6.

- Entrez en mode Entretien et sélectionnez la ligne STAND.
- Appuyez sur **GO**, lorsque **CALIBRATION OK** s'affiche, indiquant que le centre du support motorisé a été détecté.

Pour les réglages suivants, une mire de test normalisée 4:3 (par ex. Philips) doit être utilisée.

## Foyer

- Mettez au point la concentration des lignes verticales telles qu'elles s'affichent, environ 10cm/4" à partir du bord de l'écran, à l'aide de 4R485 (FOCUS/FOYER).

## Réglages de l'image

- Les réglages de l'image s'effectuent uniquement au format 1 (4:3).
- Entrez en mode Entretien et sélectionnez la ligne MONITOR.
  - Sélectionnez la ligne PICTURE ADJUSTMENTS.
  - Supprimez les couleurs (COLOR = 0).
  - Réglez R-DR, G-DR et B-DR pour corriger le niveau de blanc.
  - Réglez BLACK OFFSET R et BLACK OFFSET G pour corriger le niveau de gris.
  - Sélectionnez la ligne G2 ADJUSTMENT. L'écran devient noir et la petite fenêtre en haut de l'écran affiche G2 HIGH, G2 OK ou G2 LOW. Effectuez le réglage à l'aide de 4R485 (G2) ; la fenêtre affiche G2 OK.
  - Appuyez sur ▲ et la fenêtre affiche BL-G X. Ensuite, appuyez sur GO.
  - Sélectionnez COLOR et définissez la valeur telle qu'elle était avant le réglage. Ensuite, appuyez sur GO.

## Réglages de la géométrie

Les réglages de géométrie doivent être effectués en format 1 (4:3) et en format 2 (16:9).

Certains réglages sont fixes et ne doivent pas être modifiés :

Pente verticale (V-SL)	Doit toujours être configuré sur 25
Correction de la pente verticale (V-SC)	Doit toujours être configuré sur 20
Sensibilité horizontale (EHT)	Doit toujours être configuré sur 38

Les réglages de l'image doivent s'effectuer d'abord au format 1 (4:3).

- Entrez en mode Entretien et sélectionnez la ligne MONITOR.
- Sélectionnez la ligne PICTURE ADJUSTMENTS.
- Sélectionnez la ligne BRILLIANCE et définissez-la à sa valeur maximale (62). Ensuite, appuyez sur GO.
- Sélectionnez la ligne GEOMETRY ADJUSTMENTS.
- Sélectionnez la ligne BOW (BOW Horizontal) et attribuez-lui la valeur 8.
- Sélectionnez la ligne H-AM (Horizontal AMplitude) et réglez-la pour rendre la ligne phosphorescente visible des deux côtés de l'image. Sélectionnez H-CT (Horizontal CenTering) et réglez l'une des trois positions permettant le meilleur synchronisme de l'image.
- Sélectionnez la ligne H-AM et réglez la largeur de l'image à l'écran. Ensuite, appuyez sur GO et ▲ pour sélectionner la ligne PICTURE ADJUSTMENTS. Sélectionnez BRILLIANCE et définissez la valeur telle qu'elle était avant le réglage. Ensuite, appuyez sur GO.
- Sélectionnez la ligne GEOMETRY ADJUSTMENTS.

### Phase horizontale (H-PH)

- Réglez H-PH pour définir le synchronisme de l'image.

### Amplitude horizontale (H-AM)

- Réglez H-AM sur la largeur appropriée de l'image.

### Amplitude verticale (V-AM)

- Réglez V-AM afin que l'image tienne dans l'écran, en haut et en bas.

### Décentrement/Synchronisme vertical (V-SH)

- Réglez V-SH jusqu'à ce que le centre de l'image soit au centre de l'écran.

**Parabole Est/Ouest (EW-P)**

- Réglez EW-P à la bonne géométrie sur les côtés. La partie centrale des lignes verticales doit être aussi droite que possible.

**Coin supérieur Est/Ouest (EWUC)**

- Réglez EWUC à la bonne géométrie sur les coins supérieurs.

**Coin inférieur Est/Ouest (EWLC)**

- Réglez EWLC à la bonne géométrie aux coins inférieurs.

**Trapèze Est/Ouest (EW-T)**

- Réglez EW-T à la bonne géométrie.

**Parallélogramme horizontal (H-PA)**

- Réglez H-PA à la bonne géométrie.

**Inflexion horizontale (BOW)**

- Réglez BOW jusqu'à ce que les lignes verticales sur les côtés de l'image soient droites.

Certains réglages devront être répétés.

- Appuyez sur **GO** pour sauvegarder les réglages.

Quittez le mode Entretien.

**Réglages de la géométrie au format 2 (16:9)**

Seuls les réglages mentionnés doivent être réalisés.

- Sélectionnez le menu TV SETUP.
- Sélectionnez la ligne PICTURE FORMAT dans le menu TV SETUP.
- Entrez en mode Entretien et sélectionnez la ligne MONITOR.
- Sélectionnez la ligne GEOMETRY ADJUSTMENTS.

Lors de la sélection d'un élément de réglage, l'image doit passer en format 16:9.

**Amplitude horizontale (H-AM)**

- Réglez H-AM sur la largeur appropriée de l'image.

**Amplitude verticale (V-AM)**

- Réglez V-AM afin que l'image soit cadrée entre le haut et le bas. Il doit y avoir environ 10 cm entre la base du cercle et le bas de l'écran visible.

**Décentrement/Synchronisme vertical (V-SH)**

- Réglez V-SH jusqu'à ce qu'il y ait environ 8 mm entre le haut du cercle et le haut de l'écran visible.

**Parabole Est/Ouest (EW-P)**

- Réglez EW-P à la bonne géométrie sur les côtés. La partie centrale des lignes verticales doit être aussi droite que possible.

**Coin supérieur Est/Ouest (EWUC)**

- Réglez EWUC à la bonne géométrie sur les coins supérieurs.

**Trapèze Est/Ouest (EW-T)**

- Réglez EW-T à la bonne géométrie.

**Parallélogramme horizontal (H-PA)**

- Réglez H-PA à la bonne géométrie.

Certains réglages devront être répétés.

- Appuyez sur **GO** pour sauvegarder les réglages

Quittez le mode Entretien.

**MODE ENTRETIEN**

Le mode Entretien se compose de deux parties : le menu Service et le mode Inhibition. La page 5-27 vous donne un aperçu des menus du mode Entretien et du fonctionnement en mode Entretien.

**SERVICE MENU**

La ligne STAND apparaît uniquement lorsque le téléviseur est équipé d'un support motorisé. Son fonctionnement est décrit dans la section qui traite des réglages.

**MONITOR SERVICE MENU**

Les lignes PICTURE ADJUSTMENTS et GEOMETRY ADJUSTMENTS sont décrites dans la section qui traite des réglages.

**MONITOR INFORMATION**

- Numéros des versions du logiciel  
La ligne "20 IC5 DiSEqC SW 1.0" n'est indiquée que si le téléviseur est équipé d'un récepteur satellite.  
La ligne "61 IC5 STB SW 1.0" n'est indiquée que si le téléviseur est équipé d'un set-top box controller.  
La ligne "61 IC5 STB TABLE 1.0" indique la version de conversion des codes de télécommande du décodeur set-top box en codes Beo1 et codes Beo4.
- Numéros de type, d'article et de série
- Etat de la protection antivol. Indique si le code maître a été correctement entré (MEMORISE/NON MEMORISE)
- Programmation des options
- Cinq dernières erreurs TV
- Dernière erreur ML
- Dernière erreur AVL des prises V.TAPE et AV

**OPTION SETTING**

Option 0 = Le récepteur IR du téléviseur est déconnecté.

Option 1 = Deux capteurs IR dans la même pièce.

Option 2 = Un capteur IR dans la même pièce.

La programmation des options est uniquement possible à l'aide de la télécommande Beo4.

Après réparation d'une erreur ayant entraîné l'affichage d'un code d'erreur, le code d'erreur doit être supprimé. Pour ce faire, il suffit d'appuyer sur **GO** dans le menu MONITOR INFORMATION.

**IC INFORMATION**

Affiche les numéros de version pour les IC mentionnés.

MSP = 1IC550 (MSP3410D), HIP = 1IC100 (TDA9321H),

PICTP = 1IC300 (TDA9178), HOP = 1IC350 (TDA9330H),

MTXT = 1IC500 (SDA5275-2).

**SERVICE COUNTERS**

AUDIO = mode audio, hors tension EHT.

EXT.AUDIO = mode audio étendu, hors tension EHT mais tension d'alimentation sur tous les autres circuits du téléviseur.

VIDEO = mode audio/vidéo.

ON (T\*10) = indique combien de fois le poste a été allumé à partir de veille.

DVD EJECT (T\*10) = éjection du chargeur de DVD.

DVD AUDIO = lecture de CDA/DVD audio.  
DVD VIDEO = lecture de CDV/DVD vidéo.  
DVD ON (T\*10) = indique combien de fois le DVD a été allumé.  
RADIO = écoute de la radio.  
RADIO ON (T\*10) = indique combien de fois la radio a été allumée.

(T\*10) = Les nombres sont indiqués par intervalles de 10 (ex. 10 = 100). Les nombres sont donnés en dizaines entières.

Les valeurs sont mémorisées dans l'EEPROM. En cas de lectures erronées des valeurs dans l'EEPROM, toutes les valeurs des compteurs de service seront remises à 0.

#### SOUND ADJUSTMENTS

Le réglage du son n'est nécessaire qu'en cas de remplacement de l'une des enceintes. Une valeur de 9 fait une atténuation de 0 dB, une valeur de 0 une atténuation de 9 dB.

Si l'enceinte gauche des aiguës a été remplacée :

Mettre le curseur sur LEFT TREBLE, le son alterne maintenant entre les enceintes gauche et droite.

Régler à l'aide de « et » jusqu'à ce que le niveau de pression acoustique des deux canaux soit identique.

Appuyer sur **GO** pour mémoriser.

Si le réglage n'a pas réussi, mettre le curseur sur la ligne FACTORY SETTINGS, après quoi les valeurs seront ramenées aux réglages d'usine.

Ensuite répéter le réglage.

AVC = Automatic Volume Control (contrôle automatique du volume), peut être réglé sur OFF lors de mesures effectuées sur le circuit audio. L'AVC est réglé sur ON lorsque le téléviseur a été éteint à l'aide de l'interrupteur principal.

#### TELETEXT ADJUSTMENTS

##### GROUP DELAY ON

Des erreurs sur le temps de groupe survenues dans certains systèmes par câble aérien peuvent perturber la réception du télétexte. Il est possible de prévenir ce type de problème en connectant un filtre série au signal CVBS appliqué au décodeur du télétexte.

PR représente les numéros de programmes; si les numéros de programmes affichent 0, aucun filtre n'a été connecté à un quelconque numéro de programme.

Si vous souhaitez connecter un filtre à un numéro de programme, sélectionnez une ligne PR en appuyant sur ▲ ou ▼, appuyez ensuite sur « et » pour sélectionner le programme souhaité et appuyez sur **GO** pour finaliser l'opération. En sélectionnant "B&O LANGUAGE", il est possible de choisir parmi 6 jeux de caractères Télétexte différents.

- 0 Anglais, allemand, suédois, italien, français, portugais, slovaque
- 1 Polonais, allemand, suédois, italien, français, croate, slovaque, roumain
- 2 Anglais, allemand, suédois, italien, français, portugais, turc
- 3 Anglais, russe, estonien, tchèque, allemand, lithuanien, ukrainien
- 4 Anglais, allemand, suédois, italien, français, portugais, turc, grec
- 5 Anglais, arabe, français
- 6 Anglais, hébreu, arabe

Si les langues 3 à 6 sont choisies, il n'est pas possible de recevoir les caractères Télétexte niveau 2.5 d/r/c/s.

Si les langues 3 à 6 sont choisies, l'animation dans la liste de programmes en mode Télétexte n'est pas possible.

## RESET TO DEFAULT

En sélectionnant cette ligne, les réglages seront définis.

- Tous les programmes de télévision, par satellite et de radio sont effacés.
- Les prises V.TAPE et AV sont réglées sur NONE.
- Dans le menu de service PICTURE ADJUSTMENT, la luminosité, la couleur et le contraste sont réglés sur les valeurs par défaut.
- Toutes les listes de programmes sont effacées.
- Le menu TV SETUP TUNE (en l'absence de récepteur satellite) s'affichera la première fois que le téléviseur est allumé.
- OPTION est réglée sur 2.
- La configuration de la protection antiviol n'est pas modifiée.

Lorsque RESET TO DEFAULT est sélectionné, un texte "PLEASE WAIT" (veuillez attendre) s'affiche. Pendant que le texte est affiché, aucune opération n'est autorisée. Lorsque le texte disparaît, on quitte le Mode Service.

## SERVICE MENU

## TV SERVICE MENU

Dans TUNER SYSTEM il est seulement possible de placer les systèmes de tuner en position ON (téléviseurs multinormes uniquement). Le but est de réduire le délai de syntonisation.

La ligne AFC ON/OFF est utilisée à propos des réglages, mais elle peut aussi être utile dans d'autres circonstances.

Le contrôle AFC est placé sur ON lorsque le téléviseur a été éteint à l'aide de l'interrupteur secteur.

LOW TUN RANGE	45
HIGH TUN RANGE	860
LOWER BAND LIMIT	170
UPPER BAND LIMIT	450

VHF-1 CONSTANT	162
VHF-2 CONSTANT	148
UHF CONSTANT	49

Ces options sont destinées à l'usine.

TUNER TAKEOVER	27
IF ADJUST	63
AFC STATUS	I/L
FM SOUND ADJUST	14

Ces options sont décrites dans la section qui traite des réglages.

## RADIO SERVICE MENU

- Numéro de version du logiciel de la radio.
- Avec MODE TEST actif (ON) :
  - La routine de mise à jour s'arrête.
  - Règle sur large le filtre de largeur de bande FM.
  - Règle le niveau de recherche sur "Premier Arrêt", ce qui signifie qu'en mode test la recherche s'arrête sur des stations émettrices plus faibles que ce n'est le cas lors du fonctionnement normal.
  - Retire l'atténuation 20 dB sur des stations fortes.



## DVD SERVICE MENU

- Numéro de version du logiciel PCB72.

## REGIONSETUP :

Codes régionaux (1 à 11), si le code régional n'a pas été modifié dans ce menu, il est indiqué comme un - (tiret). Le chargeur DVD doit être fermé sans contenir de disque au moment d'effectuer l'installation régionale.

## REGIONSCOUNTER :

Cette ligne montre combien de fois le code régional a été modifié.

Connexion entre systèmes primaires/secondaires de synchronisation de la couleur et codes régionaux:

	Région 1	Région 2	Région 3	Région 4	Région 5	Région 6
NTSC/PAL	1	7	8	9		
PAL/NTSC		2	3	4	5	6
NTSC/PAL N				10		
PAL M/PAL				11		

**IMPORTANT !**

Le nombre de fois permettant de changer le réglage régional est limité. Si cette limite est dépassée, le DVD s'arrête de fonctionner !

Code régional selon le n° de type.

Type no.      Code régional

8500	2
8502	3
8503	2
8505	4
8506	2
8508	2

Numéro de version du logiciel PCB71 :

- Quitter Mode Service.
- Charger un DVD et le mettre sur lecture.
- Appuyer sur **DISPLAY** ([VERT] Beo4) jusqu'à ce que le menu OSD s'affiche.
- Appuyer sur ◀ pour aller du côté gauche dans le menu.
- Appuyer sur ▼ pour aller en bas du menu.
- Appuyer sur ▶▶▼▼▼ après quoi le numéro de version du logiciel s'affiche.

## REMOTE CONTROL MENU

Accéder au mode test de la Beo1 :

- Le REMOTE CONTROL MENU doit être affiché.
- Pointer la Beo1 dans une autre direction que vers le téléviseur pour qu'il ne reçoive pas les codes IR.
- Appuyer sur la touche **DISPLAY** et la maintenir enfoncée.
- Appuyer sur la touche **STANDBY** et la maintenir enfoncée, puis appuyer sur la touche **STOP** pour entrer en mode test.

## SW VERSION

Appuyer sur **STOP** et ▼ simultanément. En relâchant les boutons, la version du logiciel s'affiche.

HW OPTION est réservée à l'utilisation à l'usine.

Quitter le mode test, appuyer sur la touche **DISPLAY**.

Les BEO1 SERVICE COUNTERS comptent le nombre de pressions sur les touches Beo1. Une pression continue n'est pas enregistrée.

Il n'y a pas de compteur correspondant à la touche **VOLUME**, du fait que la Beo1 ne peut différencier une simple pression d'une pression continue sur cette touche.

#### AUTO DEMONSTRATION

Le téléviseur doit être en mode veille.

Appuyer sur **LIST** de la Beo4 jusqu'à ce que l'afficheur indique **SP.DEMO**, puis appuyer sur **GO**.

- Le téléviseur est réglé sur option 0.
- Le plateau de DVD sort.
- La prise V.TAPE doit être utilisée comme entrée et doit être réglée sur V.AUX.
- Il n'y a pas de son.
- L'afficheur indique "DVD".

Pour désactiver cette fonction, appuyer sur **LIST** de la Beo 4 jusqu'à ce que l'afficheur indique **SP.DEMO**, puis appuyer sur **GO**. Le plateau de DVD se rétracte, l'option est réglée sur 2 et le téléviseur se met en veille.

#### Mode d'inhibition du bus

Si une erreur dans le système de bus IIC place le téléviseur en mode veille chaque fois que l'on tente de l'allumer, il existe un moyen d'allumer le téléviseur en contournant l'erreur :

- Le téléviseur doit être en mode veille.
- Court-circuitez les deux points de soudure (marqués J40 coordonnées 11A sur le PCB1).
- Appuyez sur **GO** (Beo1), ou sur **TV** (Beo4). Le téléviseur se mettra en marche en mode d'inhibition du bus, si possible avec menu Service.

*IMPORTANT ! La mise en marche du téléviseur en mode d'inhibition de bus peut entraîner des dommages supplémentaires au téléviseur.*

- Quittez le mode d'inhibition. Éteignez le téléviseur.

**CONFIGURATION PERSONNALISÉE DU LNB**

Le guide d'installation doit être utilisé uniquement si le client possède une configuration de LNB spéciale (non universelle).  
Pour le fonctionnement normal, reportez-vous au Guide résumé des opérations.

Sélectionnez le menu SAT TUNING.

Sélectionnez la ligne LNB SETUP et appuyez sur **GO**.

Enregistrez la configuration LNB dans l'ordre qui correspond à la manière selon laquelle les LNB spécifiques sont connectés au commutateur LNB.

Il est possible de sélectionner 4 LNB dans une même configuration. Après avoir sauvegardé cette configuration, le téléviseur retourne au menu SAT TUNING.

Dans le menu SAT TUNING, appuyez sur **STOP STOP GO** dans les 3 secondes. Le menu CUSTOM LNB SETUP s'affiche.

Sélectionnez un numéro de LNB.

Le tableau reprend les options de configuration des LNB :

LNB-SELECT	DiSEqC	SWITCH	TONE	DC	NONE
OPTION	.....	14V/18V/14V-T/ 18V-T	ON/OFF	14V/18V	.....
LNB BANDS	DUAL/SINGLE	DUAL/SINGLE	DUAL/SINGLE	DUAL/SINGLE	DUAL/SINGLE
BAND SELECT	TONE/DC/DiSEqC	DiSEqC	DC /DiSEqC	TONE /DiSEqC	TONE/DC/DiSEqC
FREQUENCY (Dual)	.....	.....	.....	.....	
FREQUENCY- HIGH	10.600/10.750	10.600/10.750	10.600/10.750	10.600/10.750	10.600/10.750
FREQUENCY- LOW	9.750/10.000/ 10.050	9.750/10.000/ 10.050	9.750/10.000/ 10.050	9.750/10.000/ 10.050	9.750/10.000/ 10.050
POLARITY	TONE/DC/DiSEqC	DiSEqC	DC /DiSEqC	TONE /DiSEqC	TONE/DC/DiSEqC

Si LNB BANDS est placé sur SINGLE, BAND SELECT et FREQUENCY-HIGH ne peuvent être entrés.

## PROTECTION CONTRE LE VOL

La protection contre le vol est constituée par un code personnel – le code PIN – à 4 chiffres, au choix de l'utilisateur, qui doit être saisi à partir du moment où le poste de télévision a été débranché du secteur pendant 15 à 30 minutes.

La protection antivol est toujours désactivée au départ de l'usine ; il est de la responsabilité de l'utilisateur de la mettre en route.

Si la protection antivol est activée et que le poste de TV a été débranché pendant 15 à 30 minutes, il sera demandé à l'utilisateur de saisir son code PIN à 4 chiffres à l'allumage du poste de télévision.

C'est une bonne idée de demander au client, avant d'accepter un poste pour entretien, de désactiver la protection antivol.

### Code pour entretien

Si le code PIN demeure activé et que l'appareil est en entretien, il existe une possibilité d'entretien pendant 12 heures en saisissant un code de service à 5 chiffres, qui est : 1 1 1 1 1.

Ceci donne une période complète de 12 heures de fonctionnement complet de l'appareil et permet le remplacement de modules sans nommer ou enregistrer les modules remplacés dans l'appareil du client. Ces 12 heures ne tournent que pendant que l'appareil est branché au secteur !

Si l'on saisit le code PIN du client ou le code Maître, les modules remplacés seront nommés/enregistrés spécifiquement pour l'appareil. L'enregistrement d'un module ne peut pas être modifié.

Le code de service peut être saisi à partir du moment où le poste de télévision a été débranché pendant 15 à 30 minutes.

Lorsqu'on rallume le poste de télévision, un menu PINCODE apparaît. Appuyez maintenant sur ◀ (embobiner) pendant trois secondes et un menu MASTERCODE apparaît. Maintenant, on peut saisir le code de service 1 1 1 1 1 et ensuite appuyer sur GO.

### Remplacement de la carte micro-informatique principale PCB6

N'oubliez pas, lors du remplacement du châssis électrique qui comporte la carte PCB6, de retirer l'EEPROM 61C6 de la carte PCB6 défectueuse et de la monter sur la nouvelle carte PCB6, car elle contient des données précieuses (N° de série, code PIN, etc.).

Les données ne sont pas transférées sur le nouveau module avant que vous ayez été en contact avec la protection antivol ou après 12 heures de connexion au secteur. Ceci signifie que l'on peut essayer une nouvelle carte PCB6 sans devoir transférer les N° de série et autres données de l'appareil.

#### Remarque !

Si vous venez d'essayer une nouvelle carte PCB6 et que le N° de série a été transféré sur la nouvelle carte et que l'appareil dit que l'ancienne carte n'était pas défectueuse, la nouvelle carte ne peut être utilisée que spécifiquement sur cet appareil. Elle doit alors être retournée à Bang & Olufsen pour être effacée à nouveau.

Si les fonctions de l'appareil sont OK, la protection antivol est également OK. Il n'est pas nécessaire de tester la fonctionnalité de la protection antivol.

### Remplacement à la fois de la carte PCB6 et de l'EEPROM 61C6

Si les deux éléments, carte PCB6 et EEPROM 61C6, doivent être remplacés, il faut les faire pré-programmer par Bang & Olufsen avec le bon N° de série, sinon ils ne fonctionneront pas.

Veillez contacter Bang & Olufsen.

### Activation du code PIN

Sélectionnez le menu SETUP du poste de télévision.

Appuyez deux fois sur ◀ puis sur **STOP** pour faire apparaître le menu PINCODE SETUP.

Saisissez le PIN de 4 chiffres sur Beo4 ou utilisez ▲ ou ▼ sur Beo1.

Appuyez sur **GO** une fois saisi le dernier chiffre. Saisissez à nouveau le code pour le confirmer et appuyez sur **GO**.

Si vous voulez modifier ou effacer le PIN, saisissez le PIN correct et appuyez sur **GO**. Il est possible, maintenant, de changer ou d'effacer le PIN.

### Saisir le PIN

Si le système du code PIN est activé et que le poste de télévision est débranché du secteur pendant plus de 15 à 30 minutes, un menu PINCODE s'affiche dès que l'on allume le poste de télévision.

Saisissez les chiffres du PIN, appuyez sur **GO** dès que le dernier chiffre est saisi et la télévision se met à nouveau en route.

### En cas d'oubli du PIN

Si on a oublié le PIN (5 essais en trois heures, l'appareil étant branché), la seule manière de déverrouiller le poste de télévision est de saisir un code maître à 5 chiffres.

On commande le code maître en envoyant une demande soit par l'intermédiaire d'un détaillant soit en remplissant l'imprimé du code maître. Si aucune de ces deux solutions n'est disponible, veuillez contacter Bang & Olufsen.

Lorsque le poste de télévision affiche une invite pour saisir le PIN, appuyez sur ◀ et maintenez cette touche appuyée pour faire apparaître le menu MASTERCODE.

Saisissez le code maître et appuyez sur **GO**. Ceci désactive le PIN et réactive le poste de télévision.



## Accesso a Service Mode

Selezionare il menu SETUP.

Beo1: Premere **STOP STOP GO** entro 3 secondi.

Beo4: Premere **0 0 GO** entro 3 secondi.

Per uscire da Service Mode, selezionare le normali operazioni da menu.

Funzionamento in Service Mode:

Beo1	Beo4	Funzione
DISPLAY	EXIT	Consente di rimuovere i menu
GO	GO	- Consente di selezionare il sottomenu della riga del menu sulla quale è posizionato il cursore - Consente di memorizzare i valori selezionati e di ritornare a SERVICE MENU (Manutenzione) - Consente di eliminare i codici di errore nel menu MONITOR INFORMATION (Informazioni monitor) e di ritornare a SERVICE MENU (Manutenzione)
▲	▲	Sposta il cursore in alto e riporta al menu precedente
▼	▼	Sposta il cursore in basso e seleziona un sottomenu in particolari casi
◀ ▶	◀ ▶	Consente di selezionare nuovi valori per i menu

Per informazioni generali sul funzionamento, consultare la "Guida rapida all'utilizzo".

## REGOLAZIONI

*Importante!*

*Nel sostituire lo chassis elettrico che comprende l'elaborazione del segnale PCB1 AV, l'uscita video PCB3, l'alimentazione e deflessione PCB4 e il microcomputer principale PCB6, per evitare la perdita di dati, è necessario spostare i precedenti EEPROM 61C6 nel nuovo PCB6.*

*Nell'angolo inferiore sinistro di PCB1, l'elaborazione del segnale AV, è presente una piccola etichetta che riporta i valori delle regolazioni per TUNER TAKEOVER (Rileva sintonizzatore), IF ADJUST (Regolazione IF) e FM SOUND ADJUST (Regolazione suono FM). È necessario scrivere tali valori nel precedente EEPROM. Nel sostituire il PCB6, è necessario spostare anche i precedenti EEPROM 61C6 nel nuovo PCB6.*

### Supporto

Effettuare le regolazioni una volta che la scatola degli ingranaggi con il controllo del supporto motorizzato PCB80 è stata montata nella TV, oppure se si è sostituita una parte dello chassis elettrico che contiene PCB6 con l'EEPROM 61C6.

- Passare a Service Mode e selezionare la riga STAND (Supporto).
- Premere **GO**; il messaggio CALIBRATION OK (Calibrazione OK) indica che è stata individuata la posizione centrale per il supporto motorizzato.

Per le seguenti regolazioni è necessario utilizzare un monoscopio test standard 4:3 (ad esempio Philips).

### Messa a fuoco

- Per ottenere una messa a fuoco ottimale, regolare 4R485 (FOCUS) affinché le linee verticali distanti circa 10 cm dal bordo siano ben a fuoco.

## Regolazioni immagine

- È possibile effettuare le regolazioni dell'immagine solo in formato 1 (4:3).
- Passare a Service Mode e selezionare la riga MONITOR.
  - Selezionare la riga PICTURE ADJUSTMENTS (Regolazioni immagine).
  - Eliminare il colore (COLOR = 0).
  - Regolare R-DR, G-DR e B-DR per correggere il livello di bianco.
  - Regolare BLACK OFFSET R (Offset nero R) e BLACK OFFSET G (Offset nero G) per correggere il livello di grigio.
  - Selezionare la riga G2 ADJUSTMENT (Regolazioni G2). Lo schermo diventa nero e il piccolo display nella parte superiore dello schermo visualizza G2 HIGH (G2 alto), G2 OK o G2 LOW (G2 basso). Effettuare la regolazione tramite 4R485 (G2): il display riporta G2 OK.
  - Premere ▲ e il display visualizzerà BL-G X. Premere GO.
  - Selezionare la riga COLOR (Colore) e impostare il valore esistente prima della regolazione. Quindi premere GO.

## Regolazioni della geometria

È necessario effettuare le regolazioni della geometria in formato 1 (4:3) e formato 2 (16:9).

Alcune delle regolazioni sono fisse e non devono essere modificate.

Vertical Slope (V-SL)

(Inclinazione verticale)

Deve sempre essere impostato su 25

Vertical S-Correction (V-SC)

(Correzione verticale)

Deve sempre essere impostato su 20

Horizontal sensitivity (EHT)

(Sensibilità orizzontale)

Deve sempre essere impostato su 38

Le regolazioni devono essere effettuate prima nel formato 1 (4:3).

- Passare a Service Mode e selezionare la riga MONITOR.
- Selezionare la riga PICTURE ADJUSTMENTS (Regolazioni immagine).
- Selezionare la riga BRILLIANCE (Luminosità) e impostare il valore sul massimo (62). Premere GO.
- Selezionare la riga GEOMETRY ADJUSTMENTS (Regolazioni geometria).
- Selezionare la riga BOW (Horizontal BOW, Arco orizzontale) e impostarla su 8.
- Selezionare la riga H-AM (Horizontal AMplitude, Estensione orizzontale) ed eseguire la regolazione fino a quando il bordo fosforescente è visibile su entrambi i lati dell'immagine. Selezionare H-CT (Horizontal Centering, Centrazione orizzontale) e scegliere tra le tre posizioni quella che consente di ottenere la migliore centrazione dell'immagine. Selezionare la riga H-AM e impostare la corretta larghezza dell'immagine. Premere quindi GO e ▲ per selezionare la riga PICTURE ADJUSTMENTS. Selezionare la riga BRILLIANCE (Luminosità) e impostare il valore esistente prima della regolazione. Premere GO.
- Selezionare la riga GEOMETRY ADJUSTMENTS.

### Horizontal Phase (H-PH)

- Regolare H-PH fino ad ottenere una corretta centrazione dell'immagine.

### Horizontal Amplitude (H-AM)

- Regolare H-AM fino a ottenere la larghezza di immagine corretta.

### Vertical Amplitude (V-AM)

- Regolare V-AM in modo che l'immagine abbia l'ampiezza corretta.



**Vertical SHift/Centering (V-SH)**

- Regolare V-SH fino a posizionare il centro dell'immagine nel centro dello schermo.

**East/West Parabola (EW-P)**

- Regolare EW-P fino a ottenere la corretta geometria ai lati. La parte centrale delle linee verticali deve essere il più diritta possibile.

**East/West Upper Corner (EWUC)**

- Regolare EWUC fino ad ottenere la corretta geometria in prossimità degli angoli superiori.

**East/West Lower Corner (EWLC)**

- Regolare EWLC fino ad ottenere la geometria corretta in prossimità degli angoli inferiori.

**East/West Trapezium (EW-T)**

- Regolare EW-T fino ad ottenere la corretta geometria.

**Horizontal PARallelogram (H-PA)**

- Regolare H-PA fino ad ottenere la corretta geometria.

**Horizontal BOW (BOW)**

- Regolare BOW (Arco) fino a quando le linee verticali su entrambi i lati dell'immagine siano diritte.

Potrebbe rendersi necessario ripetere alcune regolazioni.

- Premere **GO** per memorizzare i programmi regolati.

Uscire dalla modalità di manutenzione.

**Regolazioni della geometria in formato 2 (16:9)**

Eeguire solo le regolazioni indicate.

- Selezionare il menu TV SETUP (Impostazione TV).
  - Selezionare la riga PICTURE FORMAT (Formato immagine) nel menu TV SETUP.
  - Passare a Service Mode e selezionare la riga MONITOR.
  - Selezionare la riga GEOMETRY ADJUSTMENTS.
- Quando si seleziona un elemento di regolazione, l'immagine deve cambiare in 16:9.

**Horizontal Amplitude (H-AM)**

- Regolare H-AM fino a ottenere la larghezza di immagine corretta.

**Vertical Amplitude (V-AM)**

- Regolare V-AM in modo che l'immagine sia posizionata correttamente in alto e in basso. Vi devono essere circa 10 cm tra la parte inferiore del cerchio e quella dello schermo visibile.

**Vertical Shift/centering (V-SH)**

- Regolare V-SH fino ad ottenere una distanza di circa 8 mm tra la parte superiore del cerchio e quella dello schermo visibile.

**East/West Parabola (EW-P)**

- Regolare EW-P fino ad ottenere la corretta geometria ai lati. La parte centrale delle linee verticali deve essere il più diritta possibile.

**East/West Upper Corner (EWUC)**

- Regolare EWUC fino a ottenere una corretta geometria in prossimità degli angoli superiori.

**East/West Trapezium (EW-T)**

- Regolare EW-T fino ad ottenere la corretta geometria.

**Horizontal PARallelogram (H-PA)**

- Regolare H-PA fino ad ottenere la corretta geometria.
- Potrebbe rendersi necessario ripetere alcune regolazioni.
- Premere **GO** per memorizzare le regolazioni effettuate.

Uscire dalla modalità di manutenzione.

## MODALITÀ DI MANUTENZIONE

La modalità di manutenzione consiste in due parti: menu SERVICE (manutenzione) e modalità IGNORE (di esclusione). Vedere a pagina 5-40 una panoramica sui menu Service Mode e sul funzionamento in modalità di manutenzione.

### SERVICE MENU

La riga STAND (Supporto) viene visualizzata solo se il televisore è dotato del supporto motorizzato. La relativa funzione è descritta nella sezione riguardante le regolazioni.

### MONITOR SERVICE MENU (Manutenzione monitor)

Le righe PICTURE ADJUSTMENTS (Regolazioni immagine) e GEOMETRY ADJUSTMENTS (Regolazioni geometria) vengono descritte nella sezione relativa alle regolazioni.

### MONITOR INFORMATION

- Numeri di versione del software  
La riga "20 IC5 DiSEqC SW 1.0" compare solo se il televisore dispone di un ricevitore satellitare.  
La riga "61 IC5 STB SW 1.0" compare solo se il televisore dispone di un "set top box controller".  
La riga "61 IC5 STB TABLE 1.0" mostra la versione di conversione dei codici del telecomando "set top box" nei codici Beo1 e Beo4.
- Tipo, elemento e numeri di serie
- Stato di protezione contro i furti. Indica se il codice Master è immesso correttamente (STORED/NOT STORED)
- Programmazione delle opzioni
- Ultimi cinque errori televisivi
- Ultimo errore ML
- Ultimo errore AVL dalle prese V.TAPE e AV

### OPTION SETTING

Opzione 0 = Il ricevitore IR del televisore è scollegato.

Opzione 1 = Due occhi IR nella stessa stanza.

Opzione 2 = Un occhio IR nella stessa stanza.

La programmazione delle opzioni può avvenire utilizzando un telecomando Beo4.

Dopo la correzione di un errore che ha determinato la visualizzazione di un codice di errore, il codice dovrà essere cancellato. A tal fine premere GO nel menu MONITOR INFORMATION.

### IC INFORMATION (INFORMAZIONI IC)

Riporta i numeri di versione degli IC menzionati.

MSP = 1IC550 (MSP3410D), HIP = 1IC100 (TDA9321H),  
PICTP = 1IC300 (TDA9178), HOP = 1IC350 (TDA9330H),  
MTXT = 1IC500 (SDA5275-2).

**SERVICE COUNTERS**

AUDIO = modalità audio, la tensione EHT è disattivata.

EXT.AUDIO = modalità audio estesa, la tensione EHT è disattivata, ma l'alimentazione arriva in tutti gli altri circuiti televisivi.

VIDEO = modalità audio/video.

ON (T\*10) = indica quante volte l'apparecchio è stato acceso dalla posizione standby.

DVD EJECT (T\*10) = espelle il caricatore DVD.

DVD AUDIO = riproduce l'audio di CDA/DVD.

DVD VIDEO = riproduce video CDV/DVD.

DVD ON (T\*10) = mostra quante volte è stato acceso il DVD.

RADIO = riproduzione radio.

RADIO ON (T\*10) = mostra quante volte è stata accesa la radio.

(T\*10) = I numeri compaiono a intervalli di 10 (e.g. 10 = 100). Il numero viene fornito a decine intere.

I valori vengono memorizzati nella EEPROM. Se si verificano delle letture errate dei valori nella EEPROM, tutti i valori del contatore di servizi verranno impostati su 0.

**SOUND ADJUSTMENTS**

La regolazione audio è necessaria solo quando si sostituisce uno dei diffusori.

Un valore pari a 9 crea uno smorzamento di 0 dB, un valore pari a 0 determina uno smorzamento di 9 dB.

Se l'altoparlante delle voci di soprano sinistro è stato sostituito:

Posizionare il cursore su LEFT TREBLE; a questo punto l'audio alternerà tra i diffusori di sinistra e di destra.

Regolare mediante ◀ e ▶ fino a quando il livello della pressione audio non è identico da entrambi i canali.

Premere GO per memorizzare.

Se la regolazione non è riuscita, posizionare il cursore sulla riga FACTORY SETTINGS; i valori verranno ripristinati sulle impostazioni di fabbrica.

Ripetere la regolazione.

AVC = Automatic Volume Control (regolazione automatica del volume), può essere impostato su OFF quando si effettua la misurazione nei circuiti. L'AVC è impostato su ON quando il televisore è stato spento mediante l'interruttore principale.

**TELETEXT ADJUSTMENTS**

GROUP DELAY ON (Ritardo gruppo On)

Gli errori per il ritardo del gruppo in alcune antenne connesse mediante cavi possono disturbare la ricezione di televideo. Si può prevenire questo inconveniente collegando in serie un filtro con il segnale CVBS applicato al decodificatore Televideo.

PR rappresenta i numeri di programma; se tutti i numeri di programma sono impostati su 0, significa che non è stato collegato alcun filtro ai numeri di programma.

Se si desidera collegare un filtro per un numero di programma, selezionare una riga PR premendo ▲ o ▼, quindi premere ◀ o ▶ per selezionare il numero di programma desiderato ed infine premere GO.

Selezionando "B&O LANGUAGE" è possibile scegliere tra 6 diversi set di caratteri per il televideo.

- 0 Inglese, tedesco, svedese, italiano, francese, portoghese, slovacco
- 1 Polacco, tedesco, svedese, italiano, francese, croato, slovacco, rumeno
- 2 Inglese, tedesco, svedese, italiano, francese, portoghese, turco
- 3 Inglese, russo, estone, ceco, tedesco, lituano, ucraino
- 4 Inglese, tedesco, svedese, italiano, francese, portoghese, turco, greco
- 5 Inglese, arabo, francese
- 6 Inglese, ebraico, arabo

Se si scelgono le lingue dalla 3 alla 6, non è possibile ricevere i caratteri televideo del livello 2.5 d/r/c/s.

Se si scelgono le lingue dalla 3 alla 6, non è possibile creare un'animazione nell'elenco dei programmi nella modalità televideo.

#### RESET TO DEFAULT

Quando si seleziona questa riga, verranno definite le impostazioni.

- Tutti i programmi televisivi, via satellite e radio vengono cancellati.
- Le prese V.TAPE e AV vengono impostate su NONE.
- Nel menu del servizio PICTURE ADJUSTMENT, i valori relativi alla luminosità, al colore e al contrasto vengono impostati sui valori predefiniti.
- Tutti gli elenchi dei programmi vengono cancellati.
- Il menu TV SETUP TUNE (se non c'è alcun ricevitore satellitare) verrà visualizzato alla prima accensione del televisore.
- L'OPZIONE viene impostata su 2.
- L'impostazione relativa al furto non viene modificata.

Quando è selezionata l'opzione RESET TO DEFAULT, viene visualizzata l'indicazione "PLEASE WAIT". Mentre il testo è visualizzato non bisogna effettuare nessuna operazione. Quando il testo scompare, si esce dalla modalità Service.

#### SERVICE MENU

##### TV SERVICE MENU (MENU MANUTENZIONE TV)

In TUNER SYSTEM (Sistema sintonizzatore) è possibile soltanto impostare su ON i relativi sistemi di sintonizzazione (solo televisori multi standard). Tale operazione ha lo scopo di ridurre il tempo di sintonizzazione.

AFC ON/OFF viene utilizzato insieme alle regolazioni, ma può essere utile anche in altre situazioni.

Quando il televisore è stato spento mediante l'interruttore della rete elettrica, l'AFC viene impostato su ON.

LOW TUN RANGE (INTERVALLO SINTONIZZAZIONE BASSO)	45
HIGH TUN RANGE (INTERVALLO SINTONIZZAZIONE ALTO)	860
LOWER BAND LIMIT (LIMITE BANDA INFERIORE)	170
UPPER BAND LIMIT (LIMITE BANDA SUPERIORE)	450

VHF-1 CONSTANT (VHF-2 COSTANTE)	162
VHF-2 CONSTANT (VHF-2 COSTANTE)	148
UHF CONSTANT (UHF COSTANTE)	49

Queste voci sono riservate al produttore.

TUNER TAKEOVER (RILEVA SINTONIZZATORE)	27
IF ADJUST (REGOLAZIONE IF)	63
AFC STATUS (STATO AFC)	1/L
FM SOUND ADJUST (REGOLAZIONE SUONO FM)	14

Queste voci vengono descritte nella sezione riguardante le regolazioni.

## RADIO SERVICE MENU

- Numero di versione del software radio.
- Con TESTMODE ON:
  - La routine di aggiornamento si interrompe.
  - Imposta il filtro di larghezza di banda FM su ampia.
  - Imposta il livello di ricerca su "First Stop", nel senso che la sintonizzazione si interromperà sulle stazioni più deboli durante la modalità di prova, rispetto al normale funzionamento.
  - Rimuove lo smorzamento 20 dB nelle stazioni con forte ricezione.

## DVD SERVICE MENU

- Numero della versione del software PCB72.

## REGIONSETUP:

Codici regionali (1 - 11) se il codice regionale non è stato modificato in questo menu, verrà visualizzato come un trattino (-). Il caricatore DVD deve venire chiuso senza disco, quando viene eseguita la configurazione della regione.

## REGIONSCOUNTER:

In questa riga, si mostra quante volte è stato modificato il codice regionale.

Connessione tra sistemi di televisori a colori primari/secondari e codici regionali:

	Regione 1	Regione 2	Regione 3	Regione 4	Regione 5	Regione 6
NTSC/PAL	1	7	8	9		
PAL/NTSC		2	3	4	5	6
NTSC/PAL N				10		
PAL M/PAL				11		

**IMPORTANTE!**

*Il numero di volte per modificare l'impostazione della regione è limitato. Se questo limite viene superato, il DVD smette di funzionare!*

Codice regionale in base al numero di tipo.

N. tipo.	Codice regionale
8500	2
8502	3
8503	2
8505	4
8506	2
8508	2

Numero di versione del software PCB71:

- Esce dalla modalità Service.
- Carica un DVD e lo riproduce.
- Premere **DISPLAY** ([GREEN] Beo4) fino a visualizzare il menu OSD.
- Premere ◀ per passare al lato sinistro del menu.
- Premere ▼ per passare alla parte inferiore del menu.
- Premere ▶▼▼ per visualizzare il numero di versione del software.

## REMOTE CONTROL MENU

Accesso alla modalità di prova Beo1:

- È necessario che sia visualizzato REMOTE CONTROL MENU.
- Puntare Beo1 lontano dal televisore, in modo che esso non riceva i codici IR.
- Premere e tenere premuto il pulsante **DISPLAY**.
- Premere e tenere premuto il pulsante **STANDBY**, premere quindi il pulsante **STOP** per entrare nella modalità di prova.

**SW VERSION**

Premere simultaneamente **STOP** e ▼. Rilasciando i pulsanti, viene visualizzata la versione del software sw.

HW OPTION è destinato all'uso in fabbrica.

Uscire dalla modalità di prova, premere il pulsante **DISPLAY**.

I BEO1 SERVICE COUNTERS contano il numero di pressioni sui pulsanti Beo1. La pressione continua non viene registrata.

Non c'è nessun contatore per il pulsante **VOLUME**, in quanto Beo1 non può stabilire la differenza tra un'unica pressione o la pressione continua di questo pulsante.

**AUTO DEMONSTRATION**

Il televisore deve essere nella modalità standby.

Premere **LIST** su Beo4 fino a quando sul display non viene visualizzata l'indicazione **SP.DEMO**, quindi premere **GO**.

- Il televisore è impostato sull'opzione 0.
- Il vassoio DVD fuoriesce.
- La presa V.TAPE deve essere utilizzata come input e va impostata su V.AUX.
- Non viene emesso alcun suono.
- Sul display viene visualizzata l'indicazione "DVD".

Per disattivare la funzione, premere **LIST** su Beo 4 fino a quando sul display non viene visualizzata l'indicazione **SP.DEMO**, quindi premere **GO**. Il vassoio DVD si sposta verso l'interno, l'opzione viene impostata su 2 e il televisore entra in standby.

**Modalità di esclusione del bus**

Se nel sistema bus IIC si verifica un errore che manda il televisore in Standby a ogni tentativo di accensione, è possibile accendere il televisore ignorando tale errore:

- Il televisore deve trovarsi in Standby.
- Mandare in corto circuito le due piazzole stagnate (contrassegnate con J40 coordinate 11A su PCB1).
- Premere **GO** Beo1, **TV** Beo4. Il televisore si accenderà allora in modalità di esclusione del bus, con il menu di manutenzione se possibile.

*IMPORTANTE! Il televisore potrebbe subire dei danni se viene acceso in modalità di esclusione.*

- Uscire dalla modalità di esclusione. Spegnerne il televisore.

**IMPOSTAZIONE LNB PERSONALIZZATA**

Questa guida all'installazione deve essere utilizzata solo in presenza di una impostazione LNB particolare, e non di un'impostazione LNB generale. Per il normale funzionamento consultare la guida rapida all'utilizzo.

Selezionare il menu "SAT TUNING" (Regolazione satellite).

Selezionare la riga "LNB SETUP" (Impostazione LNB) e premere **GO**.

Registrare l'impostazione LNB perché corrisponda al modo in cui gli LNB specifici sono stati collegati al commutatore degli LNB. È possibile selezionare 4 LNB. Dopo aver memorizzato questa impostazione la TV torna al menu "SAT TUNING" (Regolazione satellite).

Nel menu "SAT TUNING" (Regolazione satellite) premere **STOP STOP GO** entro 3 secondi; verrà visualizzato il menu "CUSTOM LNB SETUP" (Impostazione LNB personalizzata).

Selezionare un numero di LNB.

La tabella visualizza le opzioni per l'impostazione degli LNB:

LNB-SELECT	DiSEqC	SWITCH	TONE	DC	NONE
OPTION	.....	14V/18V/14V-T/ 18V-T	ON/OFF	14V/18V	.....
LNB BANDS	DUAL/SINGLE	DUAL/SINGLE	DUAL/SINGLE	DUAL/SINGLE	DUAL/SINGLE
BAND SELECT	TONE/DC/DiSEqC	DiSEqC	DC /DiSEqC	TONE /DiSEqC	TONE/DC/DiSEqC
FREQUENCY (Dual)	.....	.....	.....	.....	
FREQUENCY- HIGH	10.600/10.750	10.600/10.750	10.600/10.750	10.600/10.750	10.600/10.750
FREQUENCY- LOW	9.750/10.000/ 10.050	9.750/10.000/ 10.050	9.750/10.000/ 10.050	9.750/10.000/ 10.050	9.750/10.000/ 10.050
POLARITY	TONE/DC/DiSEqC	DiSEqC	DC /DiSEqC	TONE /DiSEqC	TONE/DC/DiSEqC

Se LNB BANDS (Bande LNB) è impostato su SINGLE (Singola), non è possibile impostare BAND SELECT (Selezione banda) e FREQUENCY-HIGH (Alta frequenza).



## PROTEZIONE ANTIFURTO

La protezione antifurto è costituita da un codice PIN a quattro cifre, scelto dall'utente, che deve essere immesso se il televisore è rimasto scollegato dalla tensione di rete per 15-30 min.

La protezione antifurto è sempre disattivata in fabbrica, la relativa attivazione spetta all'utente. Se la protezione antifurto è stata attivata ed il televisore è rimasto scollegato dalla tensione di rete per 15-30 minuti l'utente è tenuto ad inserire il codice PIN a quattro cifre quando si accende il televisore.

Prima di consegnare il televisore per l'assistenza tecnica sarebbe opportuno chiedere al cliente di disattivare la protezione antifurto.

### Codice di servizio

Se il codice PIN è attivato e l'apparecchio è in funzione è possibile disporre di 12 ore di servizio immettendo il codice di servizio a 5 cifre, vale a dire 1 1 1 1 1.

Questa operazione consente 12 ore di piena funzionalità per mantenere l'apparecchio ed eseguire le modifiche sul modulo senza dover effettuare la denominazione / registrazione dei moduli sostituiti nell'apparecchio del cliente. Le 12 ore funzionano soltanto se l'apparecchio è collegato alla rete d'alimentazione! Se viene immesso il codice PIN del cliente oppure il codice Master, i moduli sostituiti verranno denominati / registrati nell'apparecchio. La registrazione dei moduli non può essere modificata.

È possibile immettere il codice di servizio quando il televisore è rimasto scollegato dalla tensione di rete per 15-30 min.

Quando il televisore è acceso compare il menu PINCODE. Premendo ◀ (rewind - riavvolgimento) per tre secondi apparirà il menu MASTERCODE e sarà possibile immettere il codice di servizio 1 1 1 1 1, quindi premere GO.

### Sostituzione del microcomputer principale PCB6

Quando si sostituisce lo chassis elettrico che comprende PCB6 ricordarsi di rimuovere l'EEPROM 6IC6 del modulo difettoso PCB6, sostituendo il nuovo PCB6, perché contiene dati preziosi (numero di serie, codice PIN, ecc.).

Non è possibile trasferire i dati nel nuovo modulo finché non è stata disattivata la protezione antifurto oppure dopo 12 ore di connessione alla rete d'alimentazione. Ciò significa che è possibile provare un nuovo PCB6 senza trasferire il numero di serie degli apparecchi. ecc.

#### **Nota !**

Se dopo aver provato un nuovo PCB6 ed aver trasferito il numero di serie al nuovo PCB6, risulta che il vecchio modulo PCB6 non è difettoso, il nuovo PCB6 può essere utilizzato soltanto per questo apparecchio specifico, quindi occorre rinviarlo a Bang & Olufsen per poterlo cancellare di nuovo.

Se le funzioni dell'apparecchio sono esatte e la protezione antifurto funziona correttamente, non occorre effettuare la prova della funzionalità della protezione antifurto.

### Sostituzione di PCB6 e della EEPROM 6IC6

Se occorre sostituire sia PCB6, sia la EEPROM 6IC6 essi dovranno essere preprogrammati obbligatoriamente da Bang & Olufsen con il numero di serie corretto, altrimenti non funzioneranno.

Rivolgersi a Bang & Olufsen.

**Attivazione del sistema del codice PIN**

Selezionare il menu TV SETUP.

Premere due volte **◀** e successivamente **STOP** per far comparire il menu PINCODE SETUP.

Inserire il codice PIN a quattro cifre (Beo4) oppure utilizzare **▲** o **▼** (Beo1).

Premere **GO** dopo aver immesso l'ultima cifra. Reinscrivere il codice per confermarlo e premere **GO**.

Se si desidera modificare oppure eliminare il codice PIN, immettere il codice PIN corretto e premere **GO**.

Ora è possibile modificare od eliminare il codice PIN.

**Immissione del Codice PIN**

Se il sistema del codice PIN è attivato e il televisore è stato scollegato dalla tensione di rete per più di 15-30 minuti, compare il menu PINCODE non appena si accende il televisore.

Immettere le cifre del codice PIN e premere **GO** dopo aver inserito l'ultima cifra, quindi riavviare il sistema.

**Se si dimentica il codice PIN**

Se si dimentica il codice PIN (5 tentativi nell'arco di 3 ore con l'apparecchio collegato alla rete elettrica), l'unico modo di sbloccare il televisore è quello di immettere un codice Master a 5 cifre.

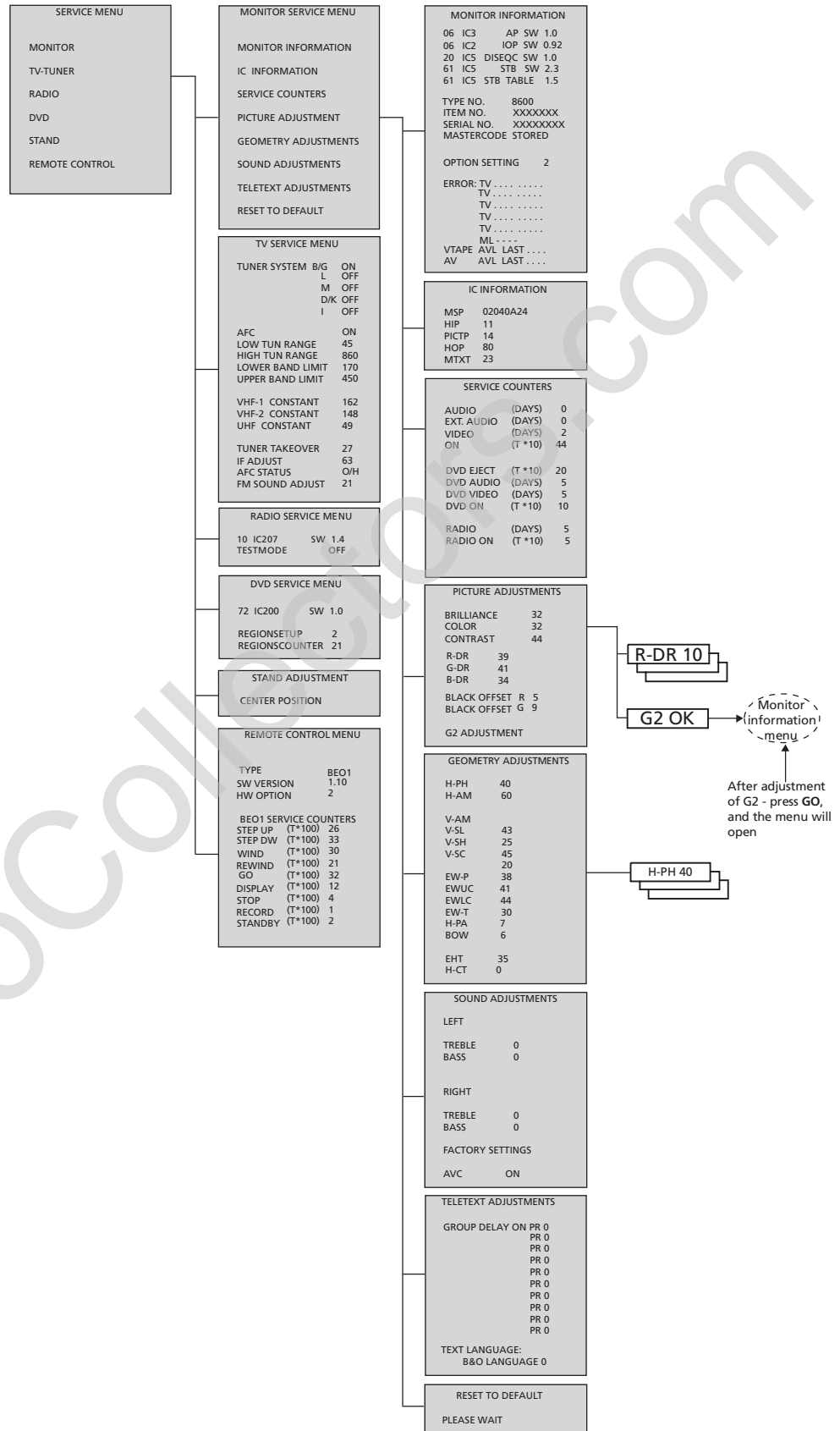
Il codice Master viene ordinato inviando una richiesta per mezzo della rete di rivenditori autorizzati oppure per mezzo del formulario di richiesta del codice Master, qualora non fosse possibile nessuna di queste opzioni, rivolgersi a Bang & Olufsen.

Quando il televisore richiede il codice PIN, mantenere premuto **◀** per far comparire il menu MASTERCODE.

Inserire il codice Master e premere **GO**. Questa operazione disattiva il codice PIN e riattiva il televisore.

**AJUSTES**

La mayoría de los ajustes se hace en el Modo de Servicio. A continuación se da un resumen de los menús de Modo de Servicio.



## Acceso al modo de servicio

Seleccione un menú de SETUP (CONFIGURACIÓN)

Beo1: Pulse la secuencia de teclas **STOP STOP GO** en el plazo de tres segundos.

Beo4: Pulse **0 0 GO** en el plazo de tres segundos.

Seleccione funcionamiento con menú normal para salir del Modo de Servicio.

Funcionamiento en el Modo de Servicio.

Beo1	Beo4	Actividad
DISPLAY	EXIT	Elimina los menús
<b>GO</b>	<b>GO</b>	- Selecciona el submenú de la línea de menú en que está colocado el cursor - Memoriza los valores seleccionados y vuelve al SERVICE MENU (Menú de servicio) - Borra los códigos de error en el menú MONITOR INFORMATION (Información del monitor) y vuelve al SERVICE MENU
▲	▲	Desplaza el cursor hacia arriba y vuelve al menú anterior
▼	▼	Desplaza el cursor hacia abajo y selecciona un submenú en ocasiones especiales
◀▶	◀▶	Selecciona nuevos valores en los menús

Para información general sobre el funcionamiento, vea la sección "Breve guía de funcionamiento".

## AJUSTES

*Importante:*

*Al sustituir el chasis eléctrico, incluido PCB1, PCB AV, PCB3, salida de vídeo, PCB4, fuente de alimentación y deflexión, y PCB6, microordenador principal, hay que trasladar al nuevo PCB6 las antiguas EEPROM 61C6 para evitar la pérdida de datos. En el ángulo inferior izquierdo de PCB1, proceso de la señal AV, hay una pequeña etiqueta en la que figuran los valores de ajuste de TUNER TAKEOVER (Toma de control del sintonizador), IF ADJUST (Ajuste de FI) y FM SOUND ADJUST (Ajuste del sonido de FM). Estos valores deben escribirse en la EEPROM antigua. Al sustituir PCB6 hay que trasladar también al nuevo PCB6 las antiguas EEPROM 61C6.*

## Soporte

Se ajusta cuando se ha instalado en el televisor la caja de engranajes con el control del soporte motorizado PCB80, o se ha sustituido cualquier componente del chasis eléctrico que contiene a la PCB6 por la EEPROM 61C6.

- Introduzca el Modo de Servicio y seleccione la línea STAND (Soporte).
- Pulse **GO**, y cuando aparezca **CALIBRATION OK** (Calibración correcta) se habrá encontrado la posición central del soporte motorizado.

Para hacer los ajustes que siguen debe utilizarse una mira de prueba estándar 4:3 (p.ej., Philips).

## Enfoque

- Ajuste el enfoque óptimo de las líneas verticales mirando aproximadamente a 10 cm/4" del borde de la pantalla y utilizando para dicho ajuste 4R485 (FOCUS) (Enfoque).

## Ajustes de la imagen

- Los ajustes de la imagen sólo se harán en formato 1 (4:3).
- Introduzca el Modo de Servicio y seleccione la línea MONITOR.
  - Seleccione la línea PICTURE ADJUSTMENTS (Ajustes de imagen).
  - Elimine los colores (COLOR = 0).
  - Ajuste R-DR, G-DR y B-DR para corregir el nivel del blanco.
  - Ajuste BLACK OFFSET R (Desviación R del negro) y BLACK OFFSET G (Desviación G del negro) al nivel de grises correcto.
  - Seleccione la línea G2 ADJUSTMENT (Ajuste de G2). Ahora la pantalla pasa a negro y en la presentación pequeña en la parte superior de la pantalla aparecerá G2 HIGH (G2 alto), G2 OK (G2 correcto) o G2 LOW (G2 bajo). Ajuste con 4R485 (G2); la pantalla muestra G2 OK.
  - Pulse ▲ y aparecerá en la pantalla BL-G X. A continuación, pulse GO.
  - Seleccione la línea COLOR y ponga el valor al mismo que tenía antes del ajuste. Después, pulse GO.

## Ajustes de geometría

Los ajustes de geometría tienen que hacerse en formato 1 (4:3) y formato 2 (16:9).

Hay algunos parámetros que son fijos y no deben ajustarse:

Pendiente vertical (V-SL)	Debe ajustarse siempre a 25
Corrección S vertical- (V-SC)	Debe ajustarse siempre a 20
Sensibilidad horizontal (EHT)	Debe ajustarse siempre a 38

Los ajustes deben hacerse primero en formato 1 (4:3).

- Introduzca el Modo de Servicio y seleccione la línea MONITOR.
- Seleccione la línea PICTURE ADJUSTMENTS.
- Seleccione la línea BRILLIANCE (Brillo) y ajuste el valor al máximo (62). Después pulse GO.
- Seleccione la línea GEOMETRY ADJUSTMENTS.
- Seleccione la línea BOW (Curvatura)(Horizontal BOW) y ajústela a 8.
- Seleccione la línea H-AM (Amplitud horizontal) (Horizontal AMplitude) y ajuste hasta que se haga visible el borde de fósforo a ambos lados de la imagen. Seleccione la línea H-CT (Centrado horizontal) (Horizontal CenTering) y ajuste a una de las tres posiciones con la que se obtenga el mejor centrado de la imagen. Seleccione la línea H-AM y ajuste a la anchura correcta de la imagen. A continuación, pulse GO y ▲ para seleccionar la línea PICTURE ADJUSTMENTS. Seleccione la línea BRILLIANCE y ajuste al mismo valor que antes. A continuación, pulse GO.
- Seleccione la línea GEOMETRY ADJUSTMENTS.

### Fase horizontal (H-PH)

- Ajuste H-PH hasta que sea correcto el centrado de la imagen.

### Amplitud horizontal (H-AM)

- Ajuste H-AM a la anchura correcta de la imagen.

### Amplitud vertical (V-AM)

- Ajuste V-AM hasta que la imagen quede exactamente adaptada por arriba y abajo.

### Desviación vertical/centrado (V-SH)

- Ajuste V-SH hasta que el centro de la imagen coincida con el de la pantalla.

**Parábola este/oeste (EW-P)**

- Ajuste EW-P a la geometría correcta en los lados. La parte central de las líneas verticales debe ser lo más recta posible.

**Ángulo superior este/oeste (EWUC)**

- Ajuste EWUC a la geometría correcta en los ángulos superiores.

**Ángulo inferior este/oeste (EWLC)**

- Ajuste EWLC a la geometría correcta en los ángulos inferiores.

**Trapezio este/oeste (EW-T)**

- Ajuste EW-T a la geometría correcta.

**Paralelogramo horizontal (H-PA)**

- Ajuste H-PA a la geometría correcta.

**Horizontal BOW (BOW)**

- Ajuste BOW hasta que las líneas verticales en los lados de la imagen estén rectas.

Puede ser necesario repetir alguno de los ajustes.

- Pulse **GO** para memorizar los ajustes.

Salga del Modo de Servicio.

**Ajustes de la geometría en formato 2 (16:9)**

Sólo se realizarán los ajustes que se indican a continuación.

- Seleccione el menú TV SETUP (Configuración TV).
- Seleccione la línea PICTURE FORMAT (Formato de imagen) en el menú TV SETUP.
- Introduzca el Modo de Servicio y seleccione la línea MONITOR.
- Seleccione la línea GEOMETRY ADJUSTMENTS.

Cuando seleccione un ajuste, la imagen deben cambiar a 16:9.

**Amplitud horizontal (H-AM)**

- Ajuste H-AM a la anchura correcta de la imagen.

**Amplitud vertical (V-AM)**

- Ajuste V-AM para que la imagen quede exactamente adaptada por arriba y abajo, debiendo quedar aproximadamente 10 cm. entre la parte inferior del círculo y la parte inferior de la pantalla visible.

**Desviación vertical/centrado (V-SH)**

- Ajuste V-SH hasta que haya aproximadamente 8 mm. entre la parte superior del círculo y la parte superior de la pantalla visible.

**Parábola este/oeste (EW-P)**

- Ajuste EW-P a la geometría correcta en los lados. La parte central de las líneas verticales debe ser lo más recta posible.

**Ángulo superior este/oeste (EWUC)**

- Ajuste EWUC a la geometría correcta en los ángulos superiores.

**Trapezio este/oeste (EW-T)**

- Ajuste EW-T a la geometría correcta.

**Paralelogramo horizontal (H-PA)**

- Ajuste H-PA a la geometría correcta.

Puede ser necesario repetir alguno de los ajustes.

- Pulse **GO** para memorizar los ajustes.

Salga del Modo de Servicio.

**MODO DE SERVICIO**

Este modo consta de dos partes: El menú de servicio y el modo ignorar. Vea en la página 5-53 un resumen de los menús del Modo de Servicio y el funcionamiento en dicho modo.

**SERVICE MENU**

La línea STAND (Soporte) sólo aparece si el televisor está equipado con un soporte motorizado. En la sección de ajustes se describe la función.

**MONITOR SERVICE MENU**

Las líneas PICTURE ADJUSTMENTS (Ajustes de imagen) y GEOMETRY ADJUSTMENTS (Ajustes de geometría) se describen en la sección de ajustes.

**MONITOR INFORMATION**

- Números de versión del software  
La línea "20 IC5 DiSEqC SW 1.0" aparece sólo si el televisor está dotado con un receptor de emisiones por satélite.  
La línea "61 IC5 STB SW 1.0" aparece sólo si el televisor está dotado con un controlador de caja encimera.  
La línea "61 IC5 STB TABLE 1.0" muestra la versión de la conversión de los códigos del mando a distancia de la caja encimera en los códigos de Beo1 y Beo4.
- Tipo, elemento y número de serie
- Estado de protección contra robo. Muestra si se ha introducido correctamente el código maestro (STORED/NOT STORED – GUARDADO/NO GUARDADO)
- Programación de opciones
- Cinco errores del televisor más recientes
- Error ML más reciente
- Error AVL más reciente con origen en los conectores V.TAPE y AV

**OPTION SETTING**

Opción 0 = El receptor de infrarrojos del televisor está desconectado.

Opción 1 = Dos captadores de infrarrojos en la misma estancia.

Opción 2 = Un captador de infrarrojos en la estancia.

La programación de opciones sólo se puede hacer con el mando a distancia Beo4.

Después de corregir un error causante de que apareciera un código de error, debe borrarse el citado código de error, lo que se hace pulsando **GO** en el menú MONITOR INFORMATION.

**IC INFORMATION**

Muestra los números de versión de los IC mencionados.

MSP = 1IC550 (MSP3410D), HIP = 1IC100 (TDA9321H),

PICTP = 1IC300 (TDA9178), HOP = 1IC350 (TDA9330H),

MTXT = 1IC500 (SDA5275-2).

**SERVICE COUNTERS**

AUDIO = modo audio, la señal EHT está apagada.

EXT.AUDIO = modo de audio extendido, la señal EHT está apagada pero hay suministro de corriente al resto de los circuitos del televisor.

VIDEO = modo audio / vídeo.

ON (T\*10) = muestra cuántas veces se ha encendido el aparato partiendo del estado de espera activa.

DVD EJECT(T\*10) = apertura del cargador de DVD.



DVD AUDIO =reproducción de audio de CDA y DVD.  
DVD VIDEO =reproducción de vídeo desde CDV y DVD.  
DVD ON (T\*10) = muestra cuántas veces se ha encendido el lector de DVD.  
RADIO =reproducción de radio  
RADIO ON (T\*10) = muestra cuántas veces se ha encendido el sintonizador.

(T\*10) = Los números aparecen en múltiplos de 10 (p. ej. 10 = 100). El número aparece expresado en decenas completas.

Los valores quedan guardados en la EEPROM. Si se produce una lectura errónea de los valores de la EEPROM, entonces todos los valores de contadores activos se pondrán a cero.

#### SOUND ADJUSTMENTS

El ajuste del sonido sólo es necesario si se sustituye alguno de los altavoces. El valor 9 produce una atenuación de 0 dB, el valor 0 produce una atenuación de 9 dB.

Si se ha sustituido el altavoz de agudos de la izquierda:

Coloque el cursor en la posición LEFT TREBLE (AGUDOS IZQUIEDA), a continuación el sonido oscilará entre los altavoces de la izquierda y la derecha.

Ajuste mediante las teclas ◀ y ▶ hasta que el volumen sonoro sea el mismo en ambos lados.

Pulse GO para guardar.

Si no se consigue el ajuste, coloque el cursor en la línea FACTORY SETTINGS (AJUSTES DE FÁBRICA), y se restablecerán los ajustes de fábrica.

A continuación repita el ajuste.

AVC = Control Automático del Volumen; se puede dejar en estado OFF (Apagado) cuando se realicen mediciones de los circuitos de audio. Esta función está en estado ON (activada) cuando el televisor ha sido apagado desde el interruptor principal.

#### TELETEXT ADJUSTMENTS

##### RETARDO DE GRUPO ACTIVADO

Los errores de retardo de grupo de determinados sistemas de antena por cable pueden perturbar la recepción del teletexto. Esta perturbación se puede evitar colocando un filtro en serie con la señal CVBS aplicada al descodificador de teletexto.

PR son los números de canal; si todos los número de canal son 0, no se ha conectado un filtro en ningún número de canal.

Si desea conectar un filtro en un número de canal, seleccione una línea PR: pulse ▲ o ▼, luego pulse ◀ o ▶ para seleccionar el número de canal preciso y, por último, pulse GO.

Si selecciona "B&O LANGUAGE" (IDIOMA DE B&O) podrá elegir entre seis juegos de caracteres para el teletexto.

- 0 Inglés, Alemán, Sueco, Italiano, Francés, Portugués, Eslovaco
- 1 Polaco, Alemán, Sueco, Italiano, Francés, Croata, Eslovaco, Rumano
- 2 Inglés, Alemán, Sueco, Italiano, Francés, Portugués, Turco
- 3 Inglés, Ruso, Estonio, Checo, Alemán, Lituano, Ucraniano
- 4 Inglés, Alemán, Sueco, Italiano, Francés, Portugués, Turco, Griego
- 5 Inglés, Árabe, Francés
- 6 Inglés, Hebreo, Árabe

Si se eligen los idiomas del 3 al 6, no se podrán recibir los caracteres d/r/c/s del nivel de teletexto 2.5.

Si se eligen los idiomas del 3 al 6, no se podrá hacer una animación de la lista de canales en el modo teletexto.

## RESET TO DEFAULT

Cuando se selecciona esta línea, entonces se definen los ajustes.

- Se borran todos los canales de televisión y radio, terrestre y por satélite.
- Los conectores V.TAPE y AV se ponen en estado NONE.
- En el menú de servicio PICTURE ADJUSTMENT (AJUSTE DE IMAGEN) se vuelve a los valores por omisión para las variables: brillo, color y contraste.
- Se borran todas las listas de canales.
- El menú TV SETUP TUNE (AJUSTE DE CONFIGURACIÓN DE TELEVISIÓN) aparecerá la primera ocasión en que se encienda el televisor (si es que no hay receptor de emisiones por satélite).
- OPTION toma el valor 2.
- La configuración de la protección contra robo no se altera.

Cuando se selecciona RESET TO DEFAULT (RESTABLECER VALORES POR OMISIÓN), a continuación aparece un mensaje "PLEASE WAIT" (ESPERE, POR FAVOR).

Mientras se muestra el texto no se puede realizar ninguna operación. Cuando desaparece el mensaje, entonces se sale del modo de servicio.

## SERVICE MENU

## TV SERVICE MENU

En TUNER SYSTEM (Sistema de sintonizador), se pueden activar únicamente los correspondientes sistemas de sintonizador (sólo con televisores multinorma). Esto se hace para reducir el tiempo de sintonización.

AFC ON/OFF (Activación/desactivación del control automático de frecuencia) se utiliza en conexión con los ajustes, pero también puede ser útil en otras situaciones.

El AFC se activa cuando se ha desconectado el televisor con el interruptor de alimentación.

LOW TUN RANGE	45
HIGH TUN RANGE	860
LOWER BAND LIMIT	170
UPPER BAND LIMIT	450

VHF-1 CONSTANT	162
VHF-2 CONSTANT	148
UHF CONSTANT	49

Estos valores son únicamente para uso en fábrica.

TUNER TAKEOVER	27
IF ADJUST	63
AFC STATUS	I/L
FM SOUND ADJUST	14

Estos valores se describen en la sección de ajustes.

## RADIO SERVICE MENU

- Número de versión del software de radio.  
En el estado TESTMODE ON (MODO DE PRUEBA ACTIVADO):
- Se detiene la rutina de actualización.
- Establece el valor 'ancho' para el filtro del ancho de banda de frecuencia modulada.
- Ajusta el nivel de búsqueda en "First Stop" ("Primera parada"), en el sentido de que la búsqueda de sintonía se detendrá durante el modo de prueba en emisoras cuya señal es más débil de lo que será considerado mínimo en el funcionamiento normal.
- Suprime la atenuación de 20 dB en las emisoras que emiten con gran potencia.

## DVD SERVICE MENU

- Número de la versión de software PCB72.
- REGIONSETUP (CONFIGURACIÓN REGIONAL):  
Códigos de región (1 - 11). Si el código de región no ha cambiado en este menú, entonces aparecerá como el carácter '-' (guión). El cargador de DVD tiene que estar cerrado sin disco alguno cuando se realice la configuración regional.
- REGIONSCOUNTER (CONTADOR REGIONAL):  
Esta línea indica cuántas veces se ha cambiado el código de región.

Relación entre los sistemas de transmisión del color principal y secundario del televisor, y los códigos regionales:

	Región 1	Región 2	Región 3	Región 4	Región 5	Región 6
NTSC/PAL	1	7	8	9		
PAL/NTSC		2	3	4	5	6
NTSC/PAL N				10		
PAL M/PAL				11		

**¡IMPORTANTE!**

*Hay un límite para el número de veces que se puede cambiar el valor de la variable de región. Cuando se supera este límite, ¡el DVD deja de funcionar!*

Código de región según el número de tipo.

Número de tipo.	Código de región
8500	2
8502	3
8503	2
8505	4
8506	2
8508	2

Número de la versión del software PCB71:

- Salga del modo de servicio.
- Cargue y reproduzca un DVD.
- Pulse **DISPLAY** ([GREEN-verde] Beo4) hasta que aparezca el menú OSD (Menú en pantalla).
- Pulse **◀** para ir al lado izquierdo del menú.
- Pulse **▼** para ir a la base del menú.
- Pulse **▶▼▼▼** y aparecerá el número de la versión del software.

**REMOTE CONTROL MENU**

Acceso al modo de prueba de Beo1:

- Debe aparecer REMOTE CONTROL MENU (MENÚ DEL MANDO A DISTANCIA).
- Aparte el Beo1 del televisor, de manera que éste no reciba los códigos infrarrojos que emite.
- Pulse el botón **DISPLAY** (MOSTRAR) y manténgalo pulsado.
- Pulse el botón **STANDBY** (ESPERA ACTIVA) y manténgalo pulsado, a continuación pulse el botón **STOP** para pasar al modo de prueba.

**SW VERSION**

Pulse **STOP** y ▼ simultáneamente. Cuando se sueltan los botones, entonces aparece la versión del software.

La opción HW es para ser utilizada en la fábrica.

Salga del modo de prueba, y pulse el botón **DISPLAY**.

El contador SERVICE COUNTERS (CONTADORES DE SERVICIO) de BEO1 cuenta el número de veces que se han pulsado los botones de Beo1. Las pulsaciones continuas no quedan registradas.

No hay contador del botón **VOLUME**, ya que Beo1 no puede distinguir la diferencia entre una pulsación simple o la presión continua en este botón.

**AUTO DEMONSTRATION**

El televisor debe estar en el modo de espera activa.

Pulse **LIST** en su Beo4 hasta que la pantalla muestre **SP.DEMO**, a continuación pulse **GO**.

- El televisor queda en la opción 0.
- Sale la bandeja para DVD
- Hay que utilizar el conector V.TAPE como señal de entrada y hay que configurarlo como V.AUX.
- No hay sonido.
- La pantalla indica "DVD".

Para desactivar la función, pulse **LIST** en su Beo 4 hasta que la pantalla muestre **SP.DEMO**, a continuación pulse **GO**. La bandeja de DVD se meterá, la opción toma el valor 2 y el televisor pasa al estado de espera activa.

**Modo de ignorar el bus**

Si se produce un error en el sistema de bus IIC que hace que el televisor pase a reposo cada vez que se intente activarlo, se puede encender, no obstante, el televisor ignorando el error:

- El televisor debe estar en reposo.
- Cortocircuite los dos bloques de soldadura (marcados J40 y 11A de la PCB1).
- Pulse **GO** Beo1, **TV** Beo4. El televisor entrará en funcionamiento en el modo de ignorar el bus con el menú de servicio, si es posible.

*IMPORTANTE: Si se pone en funcionamiento el televisor en el modo de ignorar, puede dañarse más el televisor.*

- Salga del modo de ignorar. Desconecte el televisor.

**CONFIGURACIÓN LNB ESPECIAL**

Si se quiere una configuración especial del LNB, y no un LNB universal, debe utilizarse esta guía.

Para funcionamiento normal, vea la guía breve de funcionamiento.

Seleccione el menú "SAT TUNING" (Sintonización de satélite).

Seleccione la línea "LNB SETUP" (Configuración de LNB) y pulse **GO**.

Registre la configuración de LNB en el orden que corresponda a la forma en que se conectan los LNB específicos al conmutador LNB. Se pueden seleccionar 4 LNB en una configuración. Después de haber memorizado esta configuración, el televisor vuelve al menú "SAT TUNING".

En el menú "SAT TUNING", pulse **STOP STOP GO** en menos de 3 segundos; aparecerá el menú "CUSTOM LNB SETUP" (Configuración LNB especial).

Seleccione un número LNB.

La tabla muestra las opciones para configurar los LNB:

LNB-SELECT	DiSEqC	SWITCH	TONE	DC	NONE
OPTION	.....	14V/18V/14V-T/ 18V-T	ON/OFF	14V/18V	.....
LNB BANDS	DUAL/SINGLE	DUAL/SINGLE	DUAL/SINGLE	DUAL/SINGLE	DUAL/SINGLE
BAND SELECT	TONE/DC/DiSEqC	DiSEqC	DC /DiSEqC	TONE /DiSEqC	TONE/DC/DiSEqC
FREQUENCY (Dual)	.....	.....	.....	.....	
FREQUENCY- HIGH	10.600/10.750	10.600/10.750	10.600/10.750	10.600/10.750	10.600/10.750
FREQUENCY- LOW	9.750/10.000/ 10.050	9.750/10.000/ 10.050	9.750/10.000/ 10.050	9.750/10.000/ 10.050	9.750/10.000/ 10.050
POLARITY	TONE/DC/DiSEqC	DiSEqC	DC /DiSEqC	TONE /DiSEqC	TONE/DC/DiSEqC

Si LNB BANDS (Bandas de LNB) se coloca en SINGLE (Única), no podrán introducirse BAND SELECT (Selección de banda) y FREQUENCY-HIGH (Frecuencia alta).

## PROTECCIÓN ANTIRROBO

La protección antirrobo consiste en un código PIN de 4 dígitos, a elegir por el usuario, que debe introducirse si se ha desconectado la TV de la red eléctrica durante 15-30 min.

El sistema de protección antirrobo siempre viene desactivado de fábrica y su activación depende del deseo del usuario.

Si el sistema se encuentra activado y la TV ha estado sin conexión a la red eléctrica durante 15-30 min., el usuario deberá introducir el código PIN de 4 dígitos cuando encienda la TV. Antes de poner la TV en servicio, es conveniente pedir al cliente que desactive la protección antirrobo.

### Código de servicio

Si el código PIN se encuentra activado y el producto está en posición de servicio, existe la posibilidad de obtener un servicio de 12 horas introduciendo un código de servicio de 5 dígitos, que es el 1 1 1 1 1.

Con ello, se ofrecen 12 horas de funcionalidad completa para que el producto esté en posición de servicio y para realizar modificaciones de módulo sin necesidad de nombrar/registrarse los módulos sustituidos en el producto del cliente. ¡Las 12 horas de funcionamiento sólo se ofrecen cuando el producto está conectado a la red eléctrica! Si se introduce el código PIN o el Master code se nombrarán/ registrarán los módulos sustituidos en el producto.

El código de servicio puede introducirse cuando la TV ha estado desconectada de la red eléctrica durante 15-30 min. Cuando se enciende la TV, aparece un CÓDIGO PIN. Entonces, pulse la tecla ◀ (rewind) durante tres segundos para que aparezca el menú del MASTERCODE. Así, puede introducir el código de Servicio 1 1 1 1 1 y, a continuación, pulse GO.

### Sustitución del microordenador principal PCB6

Cuando sustituya el armazón eléctrico en el que se incluye el PCB6, no olvide trasladar el EEPROM 6IC6 del PCB6 defectuoso al nuevo PCB6, ya que contiene información valiosa (Nº de serie, código PIN, etc.).

Los datos no se transfieren al nuevo módulo hasta que se esté en contacto con la protección antirrobo o hasta después de 12 horas de conexión con la red eléctrica. Esto significa que puede intentarlo con un nuevo PCB6 sin transferir el Nº de serie, etc. del producto.

#### ¡Aviso!

Si ha intentado instalar un nuevo PCB6 y el Nº de serie ha sido transferido al nuevo PCB6 y se le comunica que el antiguo PCB6 no está defectuoso, el nuevo PCB6 sólo puede ser utilizado para este producto específico y debe devolverse a Bang & Olufsen para volver a borrarlo.

Si las funciones del producto son correctas, el sistema de protección antirrobo también es válido. No hay necesidad de realizar pruebas para comprobar la funcionalidad de la protección antirrobo.

### Sustitución del PCB6 y del EEPROM 6IC6

Si se necesita sustituir tanto el PCB6 como el EEPROM 6IC6, es necesario preprogramarlos desde Bang & Olufsen con el Nº de serie correcto. De lo contrario, no funcionarán.

Se ruega tomen contacto con Bang & Olufsen.

### Activación del sistema del código PIN

Seleccione el menú TV SETUP.

Pulse la tecla ◀ dos veces y, a continuación, pulse **STOP** para obtener el menú PINCODE SETUP.

Introduzca el código PIN de 4 dígitos (Beo4) o utilice ▲ o ▼ (Beo1).

Pulse **GO** después de introducir el último dígito. Vuelva a introducir el código para su confirmación y pulse **GO**.

Si desea modificar o borrar el código PIN, introduzca el código PIN correcto y pulse **GO**.

Ahora puede modificar o borrar el código PIN.

### Introducción del código PIN

Si el sistema del código PIN está activado y la TV está desconectada de la red eléctrica durante 15-30 minutos, aparece el menú PINCODE en cuanto se enciende la TV.

Introduzca los dígitos del código PIN y pulse **GO** cuando introduzca el último dígito. A continuación, la TV vuelve a encenderse.

### Olvido del código PIN

En caso de olvidar el código PIN (después de 5 intentos durante 3 horas con la red eléctrica conectada), la única forma de desbloquear la TV es mediante la introducción de un Master code de 5 dígitos.

Puede pedir un Master code enviando una solicitud mediante el Retail System (Venta al por menor) o con la fórmula del Master code. Si ninguna de estas opciones está disponible, póngase en contacto con Bang & Olufsen.

Cuando la TV solicita un código PIN, mantenga pulsada la tecla ◀ para obtener el menú MASTERCODE.

Introduzca el Master code y pulse **GO**. De esta forma, se desactivará el código PIN y se volverá a activar la TV.

**DISASSEMBLY***Important!*

The TV *must never* be placed on the front glass.

A service stand part no. 2752068 can be used for placing the TV during service.

**Back cover**

Remove four screws.

Lift out the lower edge of the back cover approx. 10cm. Now the back cover can carefully be pulled out.

**Contrast screen**

Turn the screw below the glass in the right-hand side 90 degrees clockwise.

Turn the screw below the glass in the left-hand side 90 degrees anticlockwise.

Pull down the screws, *notice* the contrast screen will fall outwards, but it will not fall off.

Remove the contrast screen by holding it up straight on the TV and then pull it out a bit in the right-hand lower corner and the left-hand top corner.

**Reinstalling:**

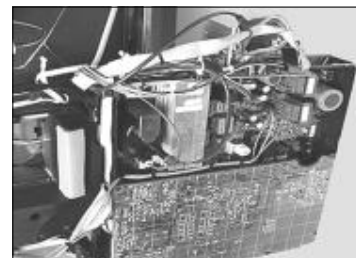
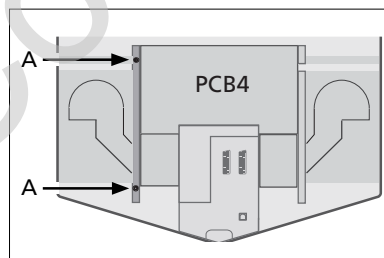
Place the glass holding it in the lower right-hand corner and the upper left-hand corner on to the TV. While holding it, push up the right-hand screw. Then push in the glass in the lower left-hand corner, and push up the left-hand screw. Fasten the screws.

**Speaker front cloth**

Carefully pull out at each corner of the front cloth and at the same time pull it downwards.

Placing the main chassis into service position

Unscrew the two screws A at the left-hand side of the chassis. Then open the chassis to the right, until it is 180 degrees opposite to the initial position. Then lock the chassis by pushing up the holder at the top of the chassis.





**DEMONTAGE***Achtung!*

Das Fernsehgerät *darf niemals* auf der Frontscheibe abgelegt werden.  
Um das Fernsehgerät während der Wartungsarbeiten zu halten, kann eine  
Wartungshalterung, Teilenummer 2752068, verwendet werden.

**Rückwand**

Entfernen Sie die vier Schrauben.  
Heben Sie die untere Kante der Rückwand ca. 10 cm nach oben. Die Rückwand  
kann nun vorsichtig abgenommen werden.

**Kontrastfilterscheibe**

Drehen Sie die Schraube unter dem Glas auf der rechten Seite um 90 Grad im  
Uhrzeigersinn.  
Drehen Sie die Schraube unter dem Glas auf der linken Seite um 90 Grad entgegen  
dem Uhrzeigersinn.  
Ziehen Sie die Schrauben nach unten. *Hinweis:* Die Kontrastfilterscheibe fällt nach  
außen. Sie fällt jedoch nicht heraus.  
Nehmen Sie nun die Kontrastfilterscheibe ab, indem Sie diese am Fernsehgerät  
gerade hochhalten und dann etwas in der rechten unteren und dann in der linken  
oberen Ecke nach außen ziehen.

**Wiedereinbau:**

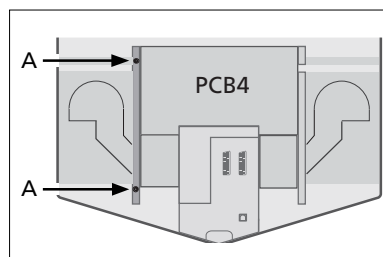
Positionieren Sie das Glas, indem Sie es in der unteren rechten Ecke und in der  
oberen linken Ecke an das Fernsehgerät halten. Während Sie die Glasscheibe  
halten, schieben Sie die rechte Schraube nach oben. Drücken Sie die Glasscheibe  
dann in der unteren linken Ecke an, und schieben Sie die linke Schraube nach  
oben. Ziehen Sie die Schrauben fest.

**Lautsprecherabdeckung**

Ziehen Sie die Lautsprecherabdeckung an allen Ecken vorsichtig nach außen und  
gleichzeitig nach unten.

**Positionieren des Hauptchassis für Servicearbeiten**

Schrauben Sie die beiden Schrauben A an der rechten Seite des Chassis heraus.  
Klappen Sie anschließend das Chassis nun nach rechts, bis es um 180 Grad zu  
seiner Ausgangsposition gedreht ist. Verriegeln Sie anschließend das Chassis,  
indem Sie die Halterung an der Oberseite des Chassis nach oben drücken.



**DÉMONTAGE***Important!*

Le téléviseur *ne doit jamais* être posé sur la vitre avant.

Un support d'intervention (pièce no. 2752068) permet de poser le téléviseur au cours des opérations d'entretien.

**Cache arrière**

Déposez les quatre vis.

Dégagez le bord inférieur du cache arrière en le soulevant de 10 cm environ.

Ensuite, retirez-le prudemment.

**Écran de contraste**

Faites pivoter la vis située sous la vitre à droite de 90° dans le sens horaire.

Faites pivoter la vis située sous la vitre à gauche de 90° dans le sens anti-horaire.

Tirez les vis vers le bas. À noter que l'écran de contraste s'inclinera vers l'extérieur mais ne tombera pas.

Retirez l'écran de contraste en le maintenant droit contre le téléviseur et tirez-le légèrement par les coins inférieurs droit et gauche.

Remontage :

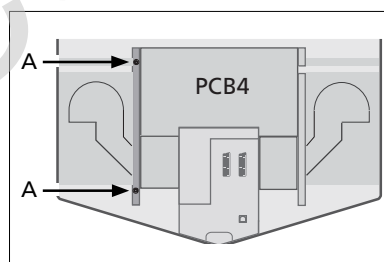
Placez la vitre en la tenant par les coins inférieur droit et supérieur gauche contre le téléviseur. Tout en la maintenant, relevez la vis de droite. Puis, appuyez sur le coin inférieur gauche de la vitre et relevez la vis de gauche. Serrez les vis.

**Façade en toile des enceintes**

Libérez soigneusement chacun des coins de la façade en toile tout en la tirant vers le bas.

**Placement du châssis principal en position d'entretien**

Déposez les deux vis A situées sur le côté gauche du châssis. Ensuite, ouvrez le châssis par la droite, jusqu'à ce qu'il se trouve dans un angle de 180° par rapport à sa position de départ. Bloquez le châssis en relevant la butée située en haut du support.



**DISASSEMBLAGGIO***Importante*

*Non appoggiare mai il televisore sul vetro anteriore.*

Per sostenere il televisore durante la manutenzione, utilizzare l'apposito supporto per la manutenzione, numero di parte 2752068.

**Copertura posteriore**

Rimuovere le quattro viti.

Sollevare il bordo inferiore della copertura posteriore di circa 10 cm.

È ora possibile rimuovere la copertura posteriore.

**Schermo di contrasto**

Ruotare la vite collocata sulla destra sotto il vetro di 90 gradi in senso orario.

Ruotare la vite collocata sulla sinistra sotto il vetro di 90 gradi in senso antiorario.

Rimuovere le viti: lo schermo di contrasto si abbasserà verso l'esterno, senza cadere.

Rimuovere lo schermo di contrasto tenendolo diritto sul televisore ed estraendolo leggermente in prossimità dell'angolo inferiore destro e superiore sinistro.

Reinstallazione:

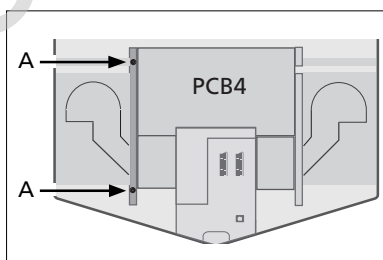
Collocare il vetro nel televisore tenendolo in prossimità dell'angolo inferiore destro e superiore sinistro. Nello stesso tempo, spingere in alto la vite destra. Spingere verso l'interno il vetro nell'angolo inferiore sinistro e spingere in alto la vite sinistra. Serrare le viti.

**Tessuto anteriore dell'altoparlante**

Rimuovere con attenzione il tessuto anteriore estraendolo da ciascun angolo e tirandolo verso il basso.

**Collocazione dello chassis principale in posizione per la manutenzione**

Svitare le due viti A nella parte sinistra dello chassis. Aprire lo chassis a destra portandolo a 180 gradi rispetto alla posizione iniziale. Bloccare quindi lo chassis spingendo verso l'alto il supporto che si trova sulla parte superiore.



**DESMONTAJE***Importante*

El televisor *nunca debe* colocarse sobre el cristal frontal.

Puede utilizarse un soporte n° de pieza 2752068 para colocar el televisor durante las tareas de mantenimiento.

**Cubierta posterior**

Quite cuatro tornillos.

Levante y separe el borde inferior de la cubierta posterior aproximadamente 10 cm.

Ahora se puede retirar con cuidado la cubierta posterior tirando de ella.

**Pantalla de contraste**

Gire 90 grados en sentido horario el tornillo que hay bajo el cristal en el lado derecho.

Gire 90 grados en sentido antihorario el tornillo que hay bajo el cristal en el lado izquierdo.

Desenrosque los tornillos *con cuidado* para que la pantalla de contraste caiga hacia fuera, sin que se desprenda de golpe.

Retire la pantalla de contraste sujetándola derecha en el televisor y, a continuación, tire de ella hacia fuera un poco por el ángulo inferior derecho y el superior izquierdo.

**Montaje:**

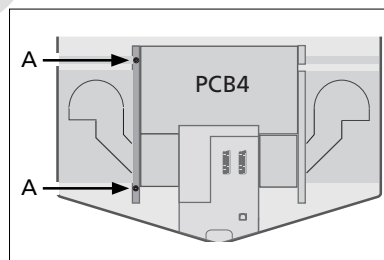
Coloque en el televisor el cristal sujetándolo por el ángulo inferior derecho y el superior izquierdo. Mientras lo sujeta, rosque hacia arriba el tornillo derecho. A continuación, presione el cristal en el ángulo inferior izquierdo y rosque hacia arriba el tornillo izquierdo. Fije los tornillos.

**Tela frontal del altavoz**

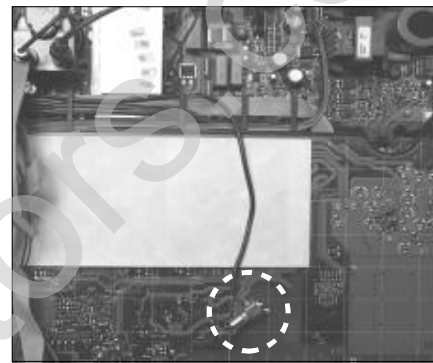
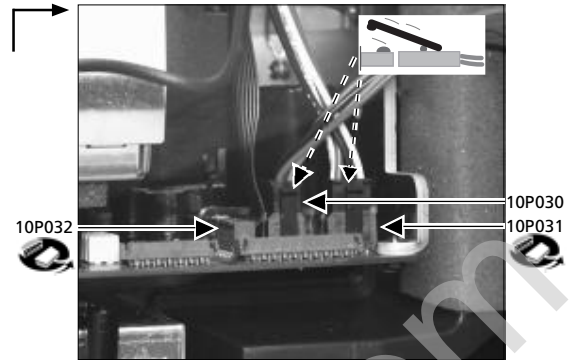
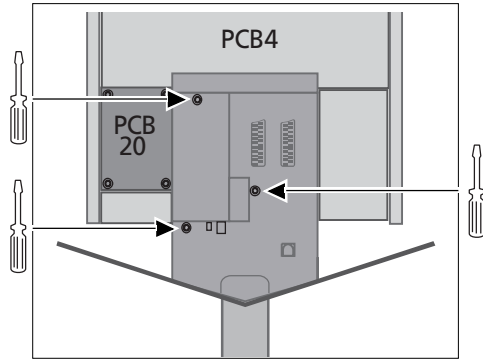
Tire con cuidado hacia abajo y al mismo tiempo de cada ángulo de la tela frontal.

**Colocación del chasis principal en posición de reparación y mantenimiento**

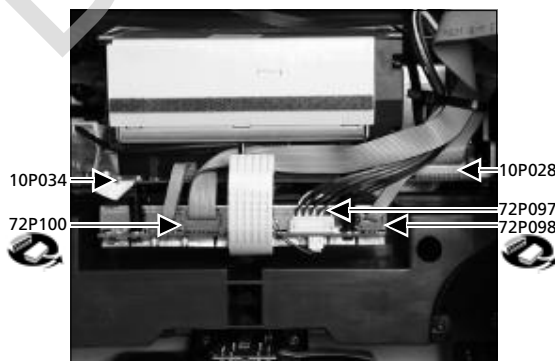
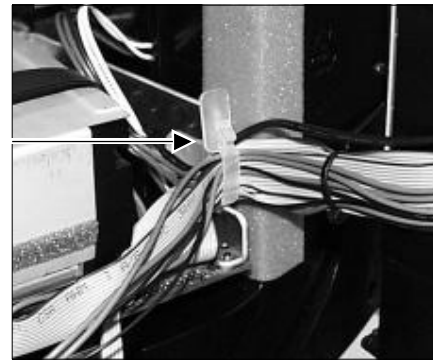
Suelte los dos tornillos A del lado izquierdo del chasis. A continuación, abra el chasis a la derecha, hasta que quede a 180 grados de la posición inicial. Hecho esto, bloquee el chasis empujando hacia arriba el soporte de la parte superior del chasis.



Sound/DVD chassis DISMOUNTING

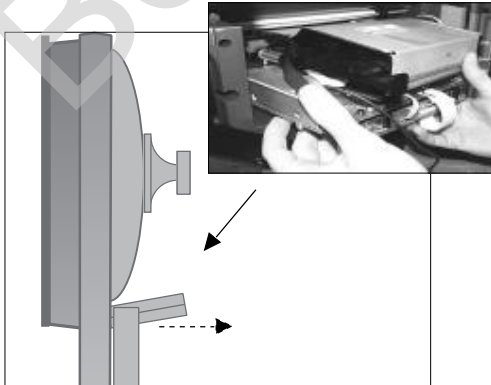
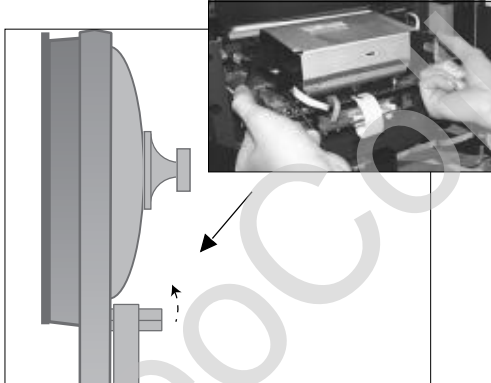
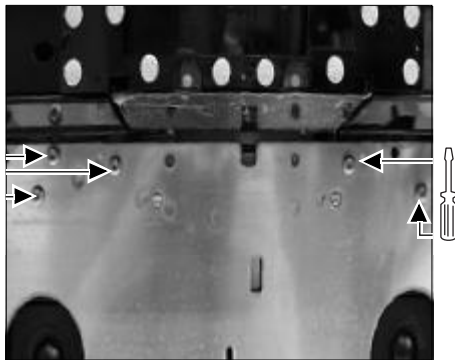
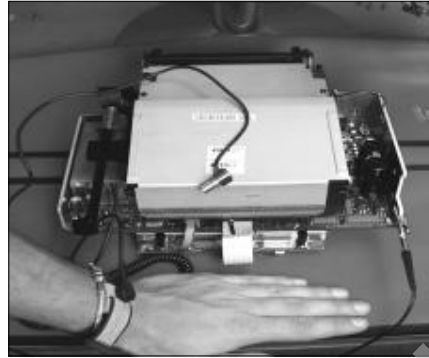


➔ Main chassis in serviceposition





Cloth front

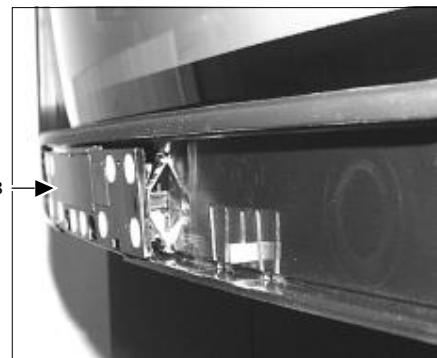


PCB58, IR & Display

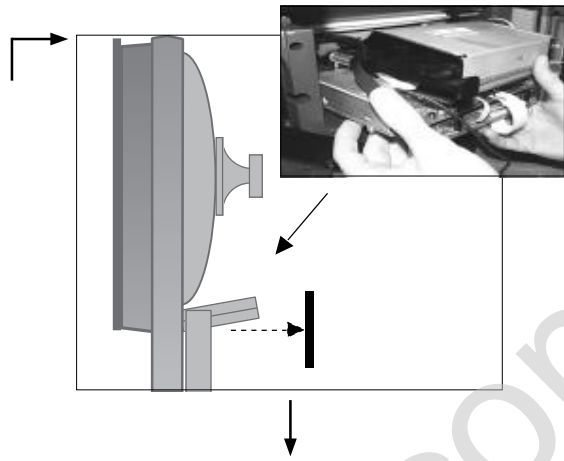
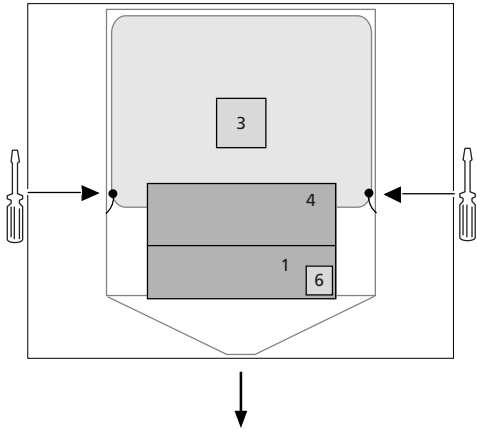
➔ Main chassis in serviceposition



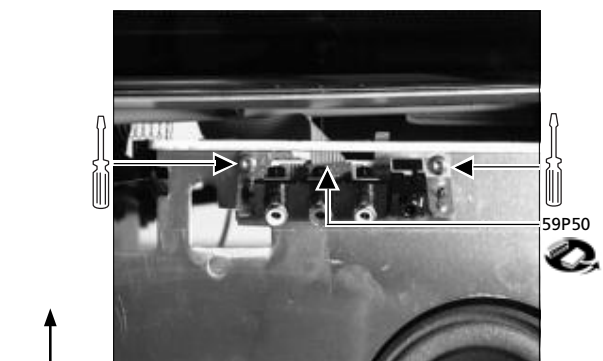
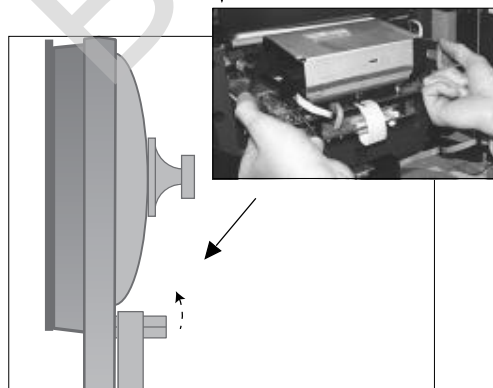
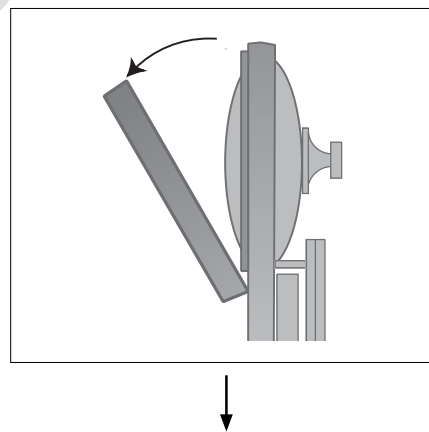
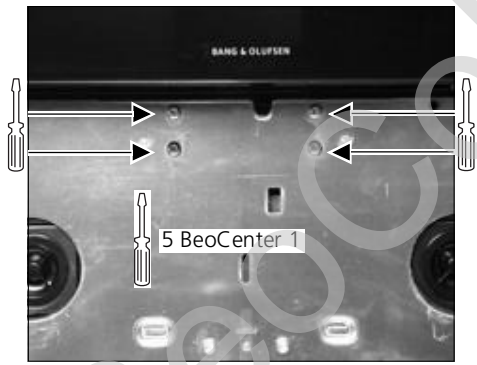
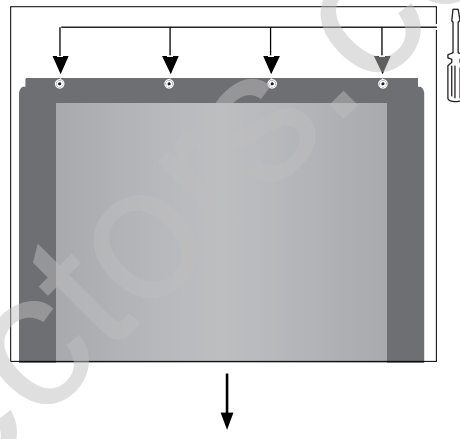
➔ Contrast screen



PCB59, Camcorder interface module

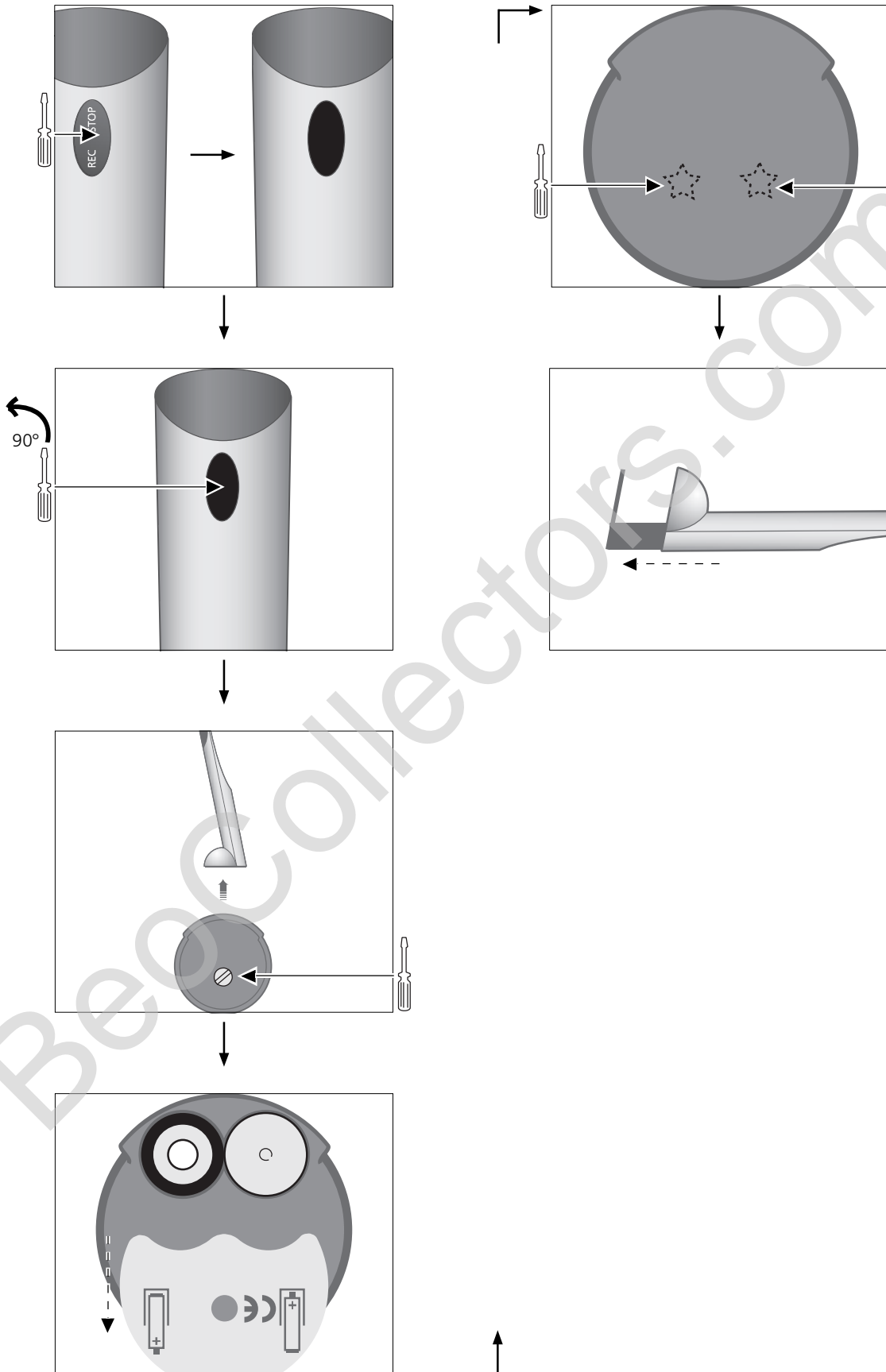


➔ Page 6.8 PCB58





PCB19, Beo1 module



**INSULATION TEST**

Each set must be insulation tested after having been dismantled.  
Make the test when the set has been reassembled and is ready to be returned to the customer.

Flashovers must not occur during the testing procedure!

Make the insulation test as follows:

Short-circuit the two pins of the mains plug and connect them to one of the terminals of the insulation tester. Connect the other terminal to ground on the VHF/UHF aerial socket.

**NOTE!**

To avoid damaging the set it is essential that both terminals of the insulation tester have good contact.

Slowly turn the voltage control of the insulation tester until a voltage of 2.5 kV is obtained. Maintain that voltage for one second, then slowly turn it down again.

**ISOLATIONSPRÜFUNG**

Nach einer Zerlegung ist bei jedem Gerät eine Isolationsprüfung vorzunehmen. Die Prüfung wird dann ausgeführt, wenn das Gerät wieder vollständig zusammengebaut und zur Auslieferung an den Kunden bereit ist.

Überschläge dürfen während der Prüfung nicht vorkommen!

Die Isolationsprüfung in folgender Weise durchführen:

Die beiden Steckerstifte am Netz-stecker kurzschließen und an eine der Anschlußklemmen des Isolationsprüfers anschließen. Die andere Anschlußklemme an die Masse des VHF/UHF Antennenanschlusses anschließen.

**ACHTUNG!**

Um Beschädigungen des Gerätes zu vermeiden, ist es wichtig, daß beide Anschlußklemmen des Isolationsprüfers einen sehr guten Kontakt haben.

Die Spannungsregelung des Isolationsprüfers langsam nach oben drehen, bis eine Spannung von 2,5 kV erreicht wird. Diese Einstellung 1 Sekunde aufrechterhalten, und anschließend die Spannung wieder langsam nach unten drehen.

## TEST D'ISOLEMENT

Il convient de soumettre l'appareil à un test d'isolement après l'avoir désassemblé. Ce test est effectué après avoir réassemblé l'appareil et avant de la remettre au client.

Aucun amorçage doit se produire lors du test!

Procéder au test d'isolement comme suit:

Court-circuiter les deux broches de la fiche secteur et les raccorder à une des bornes du testeur d'isolement. Raccorder l'autre borne à la broche d'une des prises d'antenne VHF/UHF.

**ATTENTION!**

Pour éviter d'endommager l'appareil, il est important que les deux bornes du testeur d'isolement possèdent un bon contact.

Tourner lentement la tension sur le testeur d'isolement jusqu'à arriver à 2,5 kV. Maintenir cette tension pour 1 seconde, puis la diminuer lentement de nouveau.

## PROVA DI ISOLAMENTO

Ogni apparecchio deve essere sottoposto ad una prova di isolamento dopo essere stato smontato.

Eeguire la prova dopo avere rimontato l'apparecchio, prima di consegnarlo al cliente.

Durante la prova non devono verificarsi scariche elettriche!

Eeguire la prova di isolamento come segue:

Cortocircuitare i due contatti della spina di rete e collegarli ad uno dei terminali del verificatore di isolamento. Collegare l'altro terminale alla terra della presa dell'antenna VHF/UHF.

**NOTA!**

Per evitare danni all'apparecchio è essenziale che entrambi i terminali del verificatore di isolamento abbiano un buon contatto.

Ruotare lentamente il regolatore di tensione del verificatore di isolamento fino ad ottenere una tensione di 2,5 kV. Mantenere questa tensione per un secondo e quindi ridurla lentamente.

**PRUEBA DE AISLAMIENTO**

Después de haber sido desmontado, cada aparato se someterá a una prueba de aislamiento. El test se realizará después de haber vuelto a montar el aparato, antes de su devolución al cliente.

Durante el proceso de prueba en ningún caso deberán producirse descargas eléctricas.

La prueba de aislamiento se realizará como sigue:

Cortocircuite los dos pines del conector de alimentación de red y conéctelos a uno de los terminales del aparato de pruebas de aislamiento, conectando el otro terminal a masa del conector de antena VHF/UHF.

¡ATENCIÓN!

Para evitar daños en el aparato, es imprescindible que los dos terminales del aparato de pruebas de aislamiento hagan bien contacto.

Gire el control de tensión del aparato de pruebas de aislamiento lentamente hasta alcanzar una tensión de 2,5 kV. Mantenga esta tensión durante un segundo y luego vuelva a reducirla lentamente.

BeoCollectors.com

Bang & Olufsen  
DK-7600 Struer  
Denmark

Phone +45 96 84 11 22\*  
Fax +45 97 85 39 11

3538955 10-00

PRINTED IN DENMARK BY BOGTRYKKERGÅRDEN AS, STRUER